

DH-IPC-EBW81200N

12M Ultra HD Vandal-proof IR Network Fisheye Camera



Features

- 1/2.3" 12M progressive scan CMOS
- H.264 & MJPEG dual-stream encoding
- Max 15fps@12M(4000x3000), 30fps@3M(2048x1536)
- Multiple Correct Mode: Original, Panoramic, Double Panoramic, 1+3, Eptz, 4 pictures
- DWDR, Day/Night(ICR), 3DNR, ROI, AWB, AGC, BLC
- Multiple network monitoring: Web viewer, CMS(DSS/PSS) & DMSS
- Max. IR LEDs Length 10m
- Built-in 1/1 alarm in/out
- Micro SD memory, IP67, IK10, PoE

DH-IPC-EBW81200N

Technical Specifications

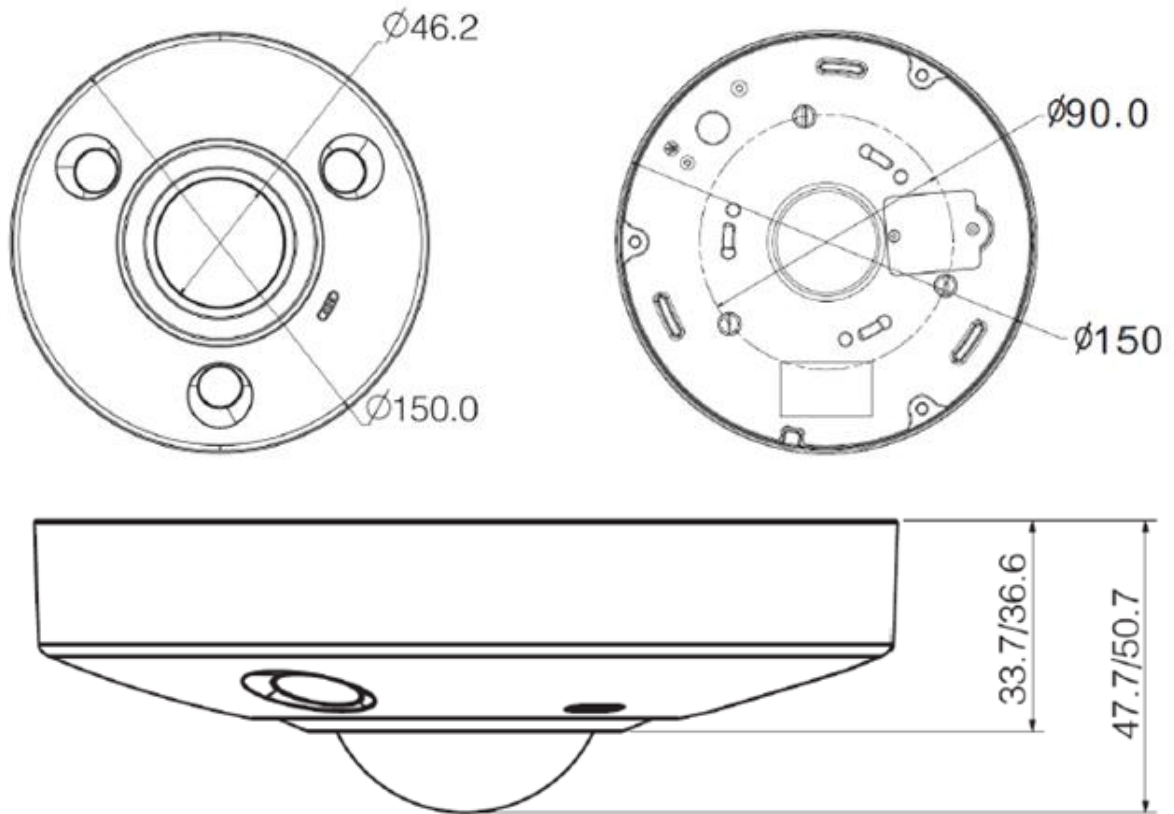
| | | |
|--------------------------|-----------------------------------------------------------------------------------------|-----------------------------|
| Model | IPC-EBW81200N | |
| Camera | | |
| Image Sensor | 1/2.3" 12M progressive scan CMOS | |
| Effective Pixels | 4000 (H) *3000 (V) | |
| Scanning System | Progressive | |
| Electronic Shutter Speed | Auto/Manual 1/3~1/10000 | |
| Min. Illumination | 0.01Lux/F2.2(Color), 0Lux/F2.2(IR on) | |
| S/N Ratio | More than 50dB | |
| Video Output | N/A | |
| Camera Features | | |
| Max. IR LEDs Length | 10m | |
| Day/Night | Auto(ICR) / Color / B/W | |
| Backlight Compensation | BLC/ HLC/DWDR | |
| White Balance | Auto/Manual | |
| Gain Control | Auto/Manual | |
| Noise Reduction | 3D | |
| Privacy Masking | Up to 4 areas | |
| Lens | | |
| Focal Length | 1.57mm | |
| Max Aperture | F2.2 | |
| Focus Control | Manual | |
| Angle of View | 185° /185° /185° | |
| Lens Type | Manual | |
| Mount Type | Board-in Type | |
| Video | | |
| Compression | H.264H/MJPEG/JPEG | |
| Resolution | 12M(4000×3000)/8M(2880×2880)/6M(2880×2160)/3M(2048×1536) | |
| Frame Rate | Main Stream | 12M(1~15fps)/3M (1 ~ 30fps) |
| | Sub Stream | D1/CIF(1 ~ 30fps) |
| Bit Rate | 40Kbps~8192Kbps | |
| Correct Mode | Original ,Panoramic, Double Panoramic,1+3,Eptz,4 pictures | |
| Audio | | |
| Compression | G.711a/G.711u/PCM | |
| Interface | 1/1 channel In/Out(Built in Mic) | |
| Network | | |
| Ethernet | RJ-45 (10/100Base-T) | |
| Wi-Fi | N/A | |
| Protocol | HTTP,TCP,ARP,RTSP,RTMP,UDP,RTCP,SMTP,FTP,DHCP,DNS,DDNS,PPPOE, IPv4/v6,SNMP,QoS,UPnP,NTP | |
| Compatibility | ONVIF,PSIA,CGI | |

DH-IPC-EBW81200N

| | |
|----------------------------|--------------------------------------|
| Max. User Access | 20users |
| Smart Phone | iPhone, iPad, Android, Windows Phone |
| Auxiliary Interface | |
| Memory Slot | Micro SD |
| RS485 | N/A |
| Alarm | 2/1 channel In/Out |
| PIR Sensor Range | N/A |
| General | |
| Power Supply | DC12V, PoE (802.3af) |
| Power Consumption | <13W |
| Working Environment | -30°C~ +60°C, Less than 95%RH |
| Ingress Protection | IP67 |
| Vandal Resistance | IK10 |
| Dimensions | Φ150mm x 50.7mm |
| Weight | 0.58kg(0.86kg with packaging) |

DH-IPC-EBW81200N

Dimensions (mm)



Accessories (optional)

| | | | | |
|--------|---------|--------|--------|--------|
| | | | | |
| PFA100 | PFB302S | PFA132 | PFA152 | PFA151 |