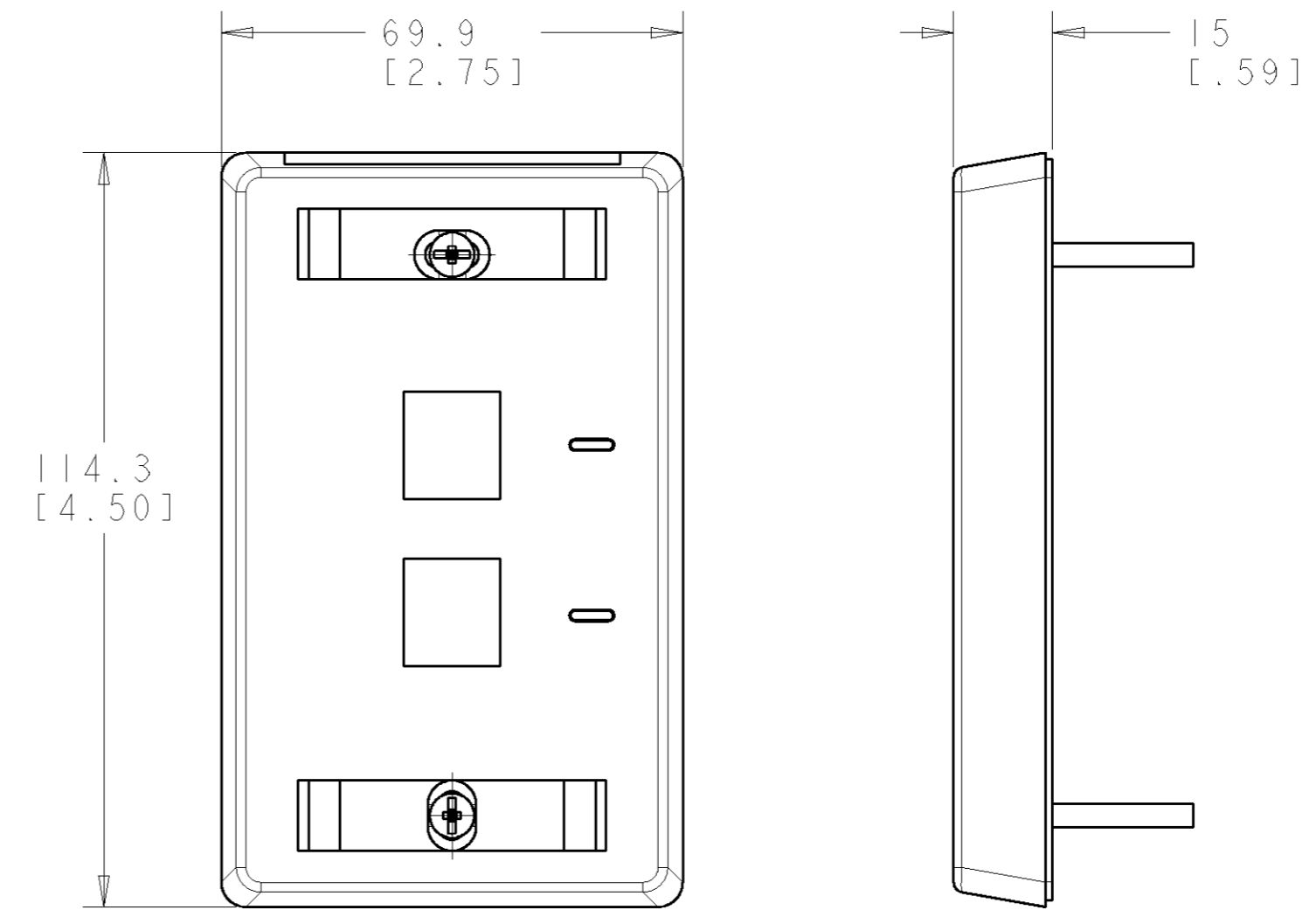
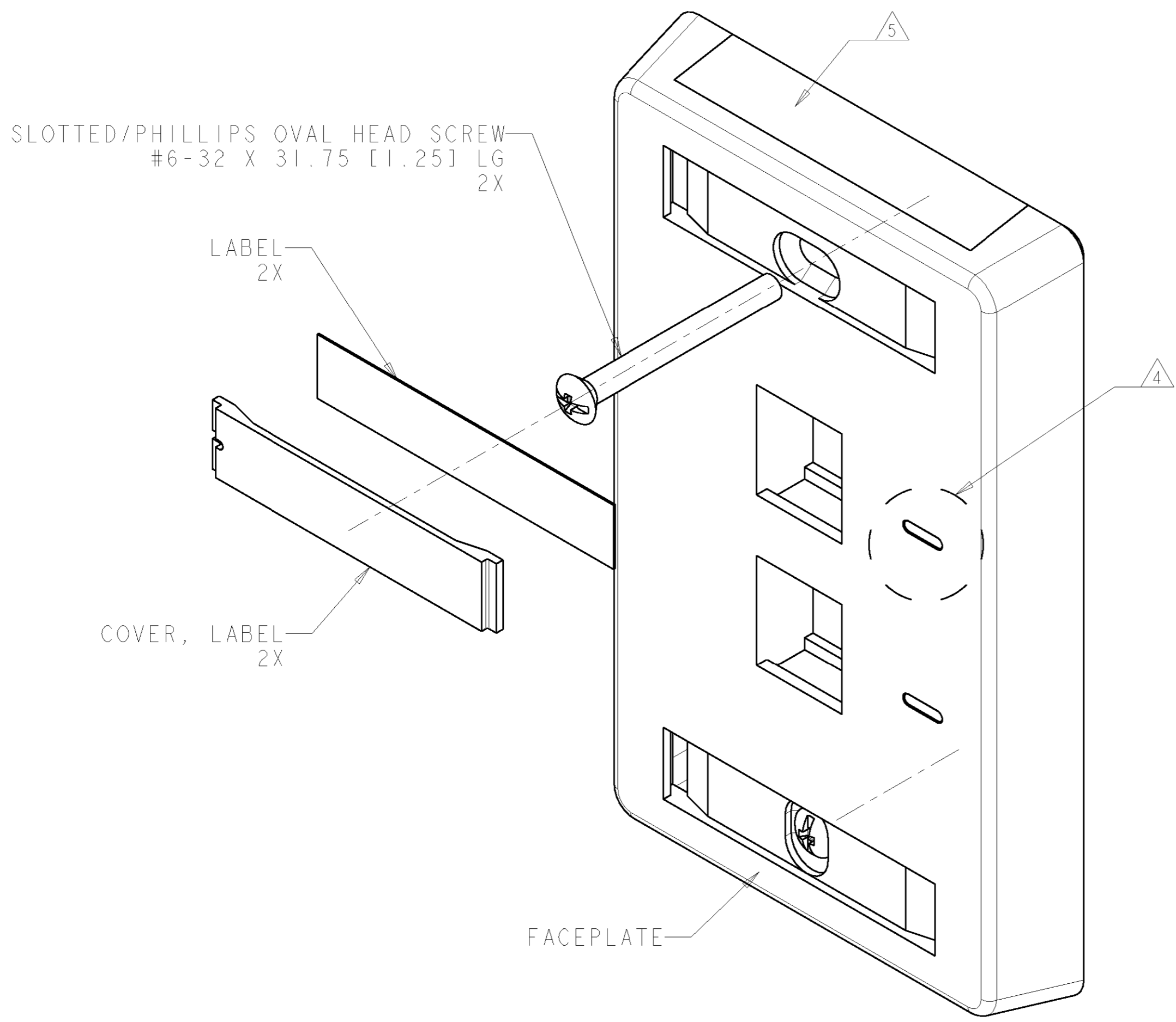


THIS DRAWING IS UNPUBLISHED. RELEASED FOR PUBLICATION 20
 © COPYRIGHT 20 BY TYCO ELECTRONICS CORPORATION. ALL RIGHTS RESERVED.

LOC	DIST	REVISIONS					
		P	LTR	DESCRIPTION	DATE	DWN	APVD
HM	00	F		REDWN, REV; EC 0B40-0152-02	11-Jul-06	GG	GB
		G		ECO-05-008931 AND REDRAWN	27SEP2005	JM	GB
		H		ECO-06-012850	11JUL2006	JM	GB

- 1 DIMENSIONS ARE NOMINAL UNLESS OTHERWISE SPECIFIED.
- 2 MATERIAL:
FACEPLATE - ABS MOLDING COMPOUND. SEE TABLE FOR COLORS.
SCREWS - ZINC PLATED CARBON STEEL.
LABEL COVER - POLYCARBONATE MOLDING COMPOUND, CLEAR.
LABEL - WHITE INDEX PAPER.
- 3. THIS KIT SHIPPED NOT ASSEMBLED.
- 4 MOLD OVER ICON FEATURE, 2X.
- 5 NON-TEXTURED AREA FOR LABEL, UP TO 9.65 [.38] HIGH.



SCALE 1:1

ELECTRIC IVORY	1-557505-1
NEMA GRAY	557505-4
WHITE	557505-3
BLACK	557505-2
LIGHT ALMOND	557505-1
COLOR	PART NUMBER

THIS DRAWING IS A CONTROLLED DOCUMENT FOR TYCO ELECTRONICS CORPORATION. IT IS SUBJECT TO CHANGE AND THE CONTROLLING ENGINEERING ORGANIZATION SHOULD BE CONTACTED FOR THE LATEST REVISION.		DWN G. GARRETT 11-Jul-06	Tyco Electronics Harrisburg, PA 17105-3608
DIMENSIONS: MM [INCHES]		CHK G. BOWMAN 11-Jul-06	
TOLERANCES UNLESS OTHERWISE SPECIFIED:		APVD G. BOWMAN 11-Jul-06	
0 PLC ± 1 PLC ± 2 PLC ± 3 PLC ± 4 PLC ± ANGLES ± FINISH ±		PRODUCT SPEC - APPLICATION SPEC 408-3282 WEIGHT -	
MATERIAL		NAME FACEPLATE KIT, 2 PORT, 110CONNECT	
DIMENSIONS: MM [INCHES] TOLERANCES UNLESS OTHERWISE SPECIFIED: 0 PLC ± 1 PLC ± 2 PLC ± 3 PLC ± 4 PLC ± ANGLES ± FINISH ±		SIZE A2 CAGE CODE 00779 DRAWING NO 557505 RESTRICTED TO -	
CUSTOMER DRAWING		SCALE 2:1 SHEET 1 OF 1 REV H	