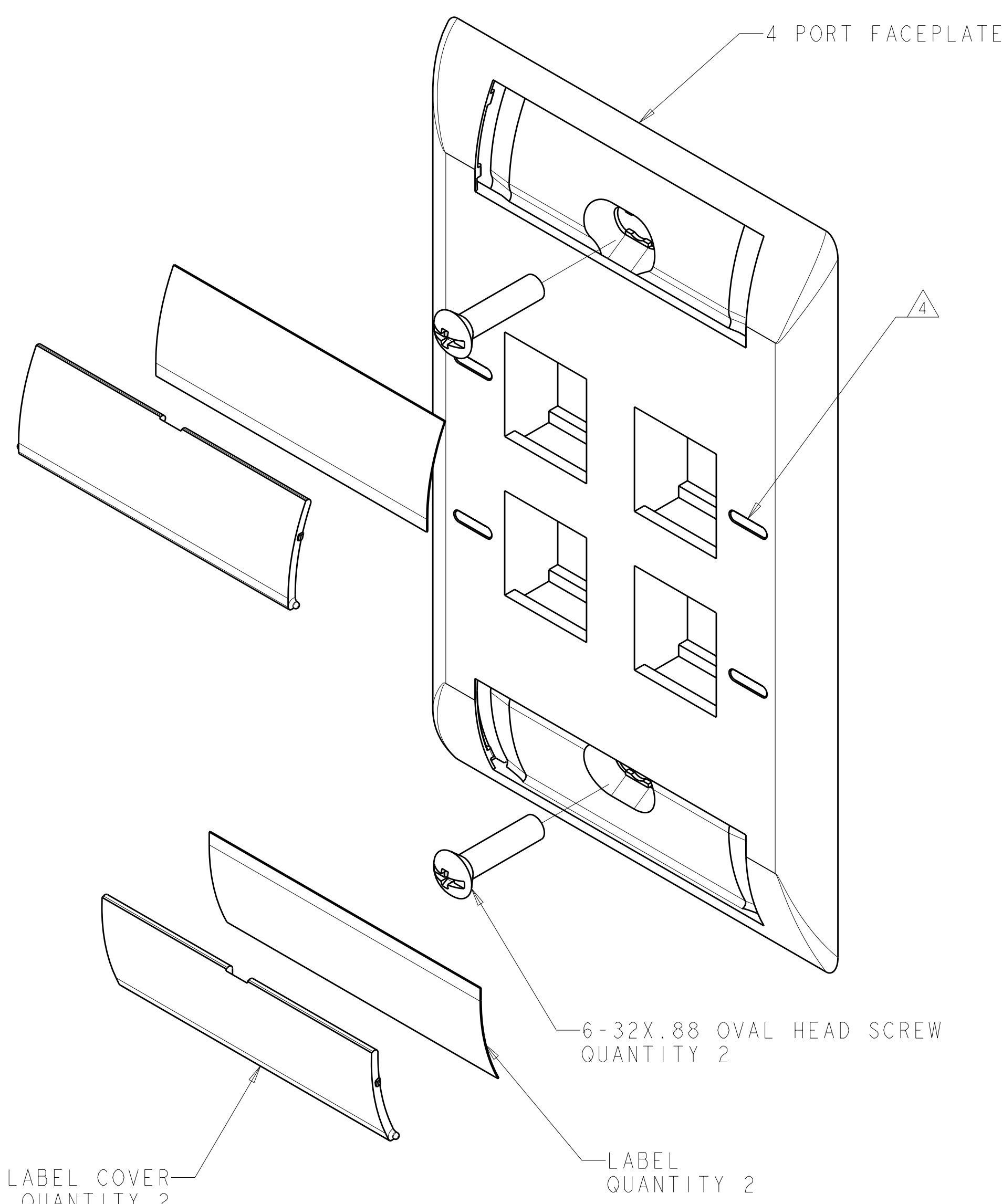
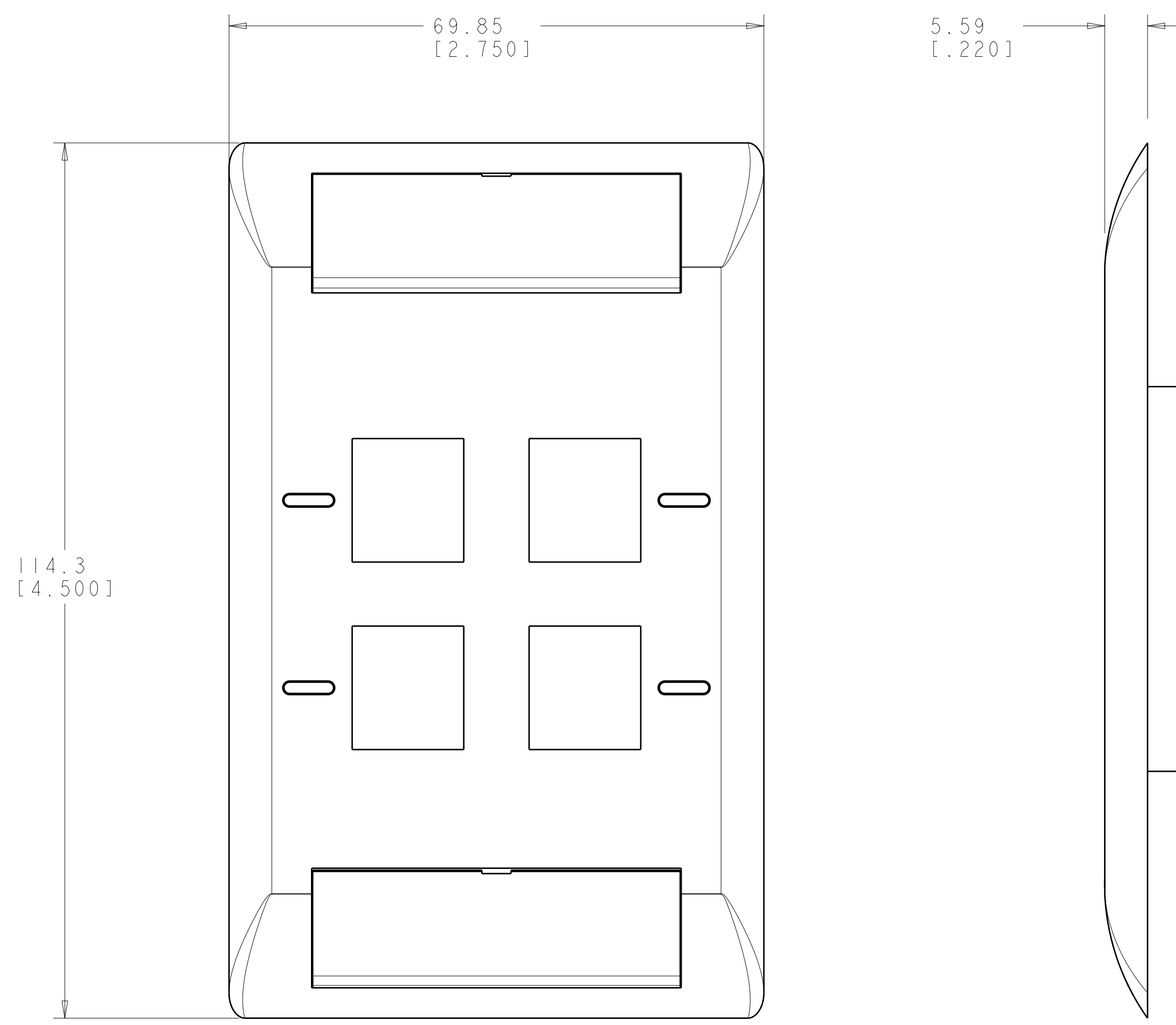


LOC	DIST	REVISIONS			
REV	DATE	BY	CHK	APPD	DESCRIPTION
A	09FEB2010	GG	RA		RLSD; ECO-10-002954



- △ DIMENSIONS ARE NOMINAL UNLESS OTHERWISE SPECIFIED.
- △ MATERIAL:
 FACEPLATE - POLYCARBONATE MOLDING COMPOUND.
 SEE TABLE FOR COLORS.
- SCREWS - ZINC PLATED CARBON STEEL.
- LABEL COVER - POLYCARBONATE MOLDING COMPOUND,
 CLEAR.
- LABEL - WHITE INDEX PAPER.
- 3. THIS KIT SHIPPED NOT ASSEMBLED.
- △ MOLD OVER ICON FEATURE.



COLOR	PART NUMBER
ALPINE WHITE	1-2111011-3
ELECTRIC IVORY	1-2111011-1
NEMA GRAY	2111011-4
WHITE	2111011-3
BLACK	2111011-2
LIGHT ALMOND	2111011-1

DIMENSIONS: MM [INCHES]		TOLERANCES UNLESS OTHERWISE SPECIFIED: 0 PLC ± .1 1 PLC ± .1 2 PLC ± .1 3 PLC ± .1 4 PLC ± .1 ANGLES ± .1		DWN: S. GARRETT 31MAR2009 CHK: R. ASHBY 31MAR2009 APPD: R. ASHBY 31MAR2009		Tyco Electronics Harrisburg, PA 17105-3608	
MATERIAL: △ FINISH: △		PRODUCT SPEC: APPLICATION SPEC:		NAME: KIT, FACEPLATE, COMMERCIAL, SINGLE GANG, 4 PORT		SIZE: A 00779 C=2111011	
CUSTOMER DRAWING		WEIGHT: -		SCALE: 2:1		SHEET 1 OF 1 REV A	