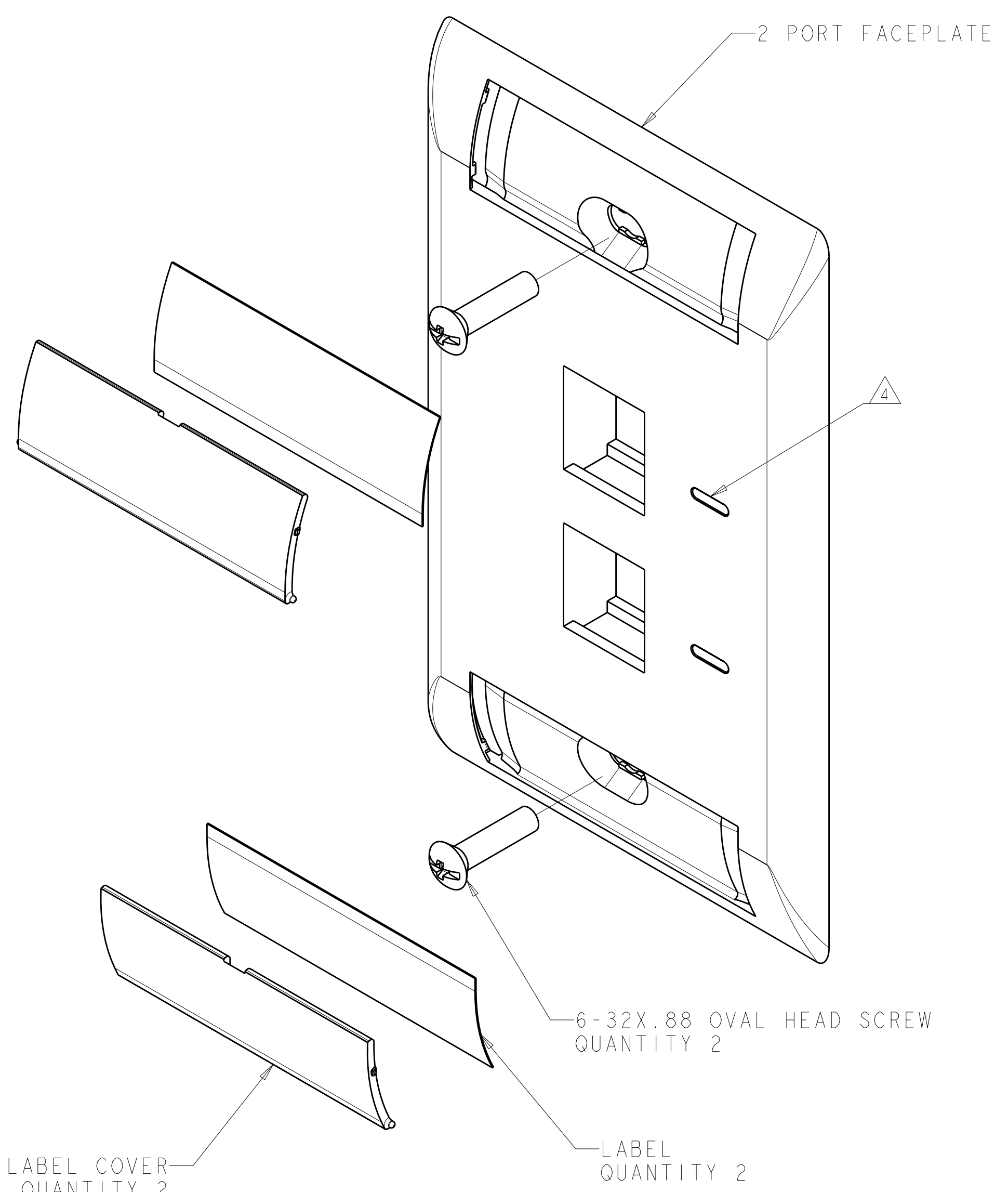
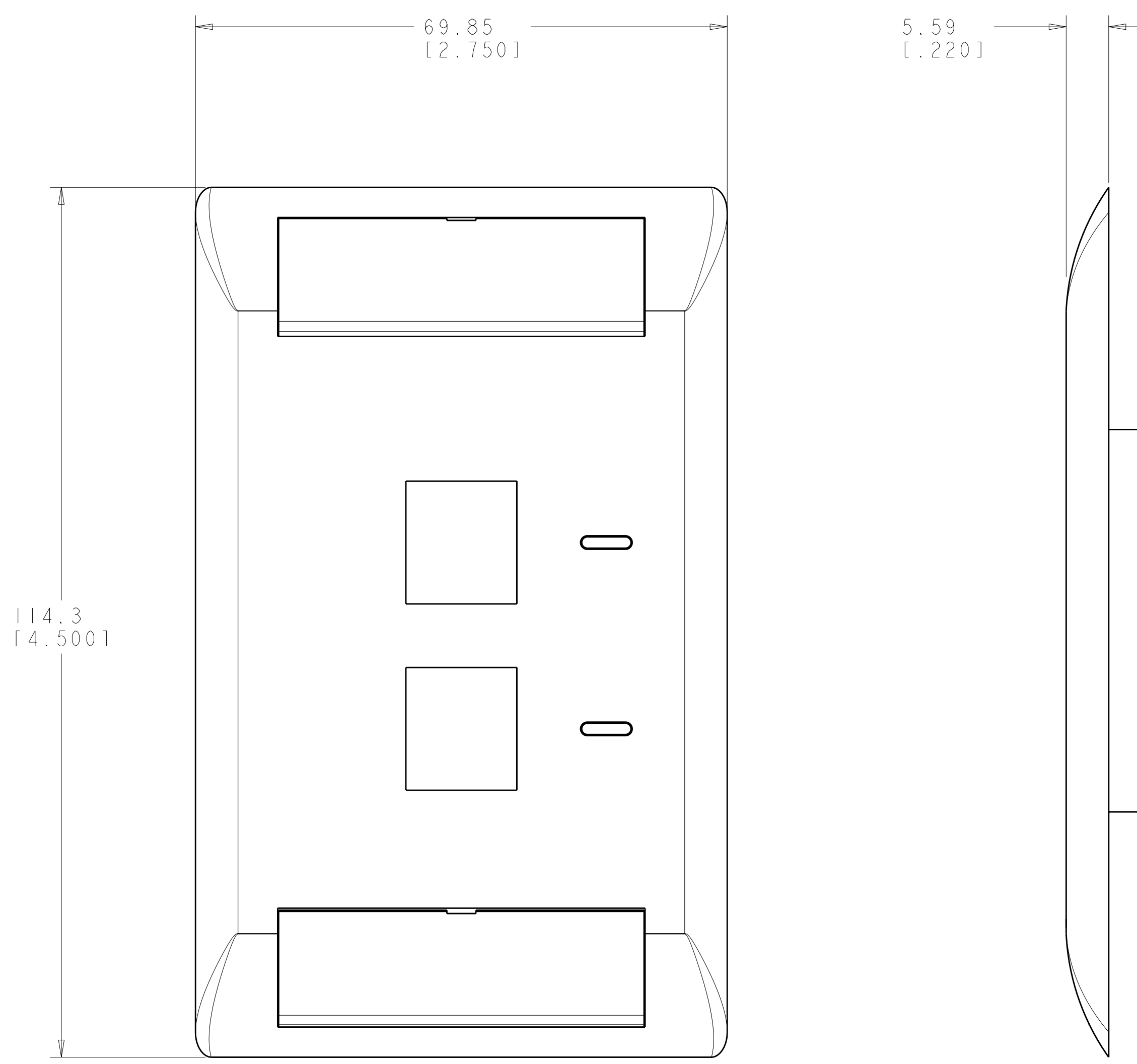


| LOC | DIST | REVISIONS | | | |
|-----|-----------|---------------------|------|-----|------|
| REV | DATE | DESCRIPTION | DATE | DWN | APVD |
| A | 09FEB2010 | RLSD; ECO-10-002954 | | GG | RA |



- △ DIMENSIONS ARE NOMINAL UNLESS OTHERWISE SPECIFIED.
- △ MATERIAL:
 FACEPLATE - POLYCARBONATE MOLDING COMPOUND. SEE TABLE FOR COLORS.
 SCREWS - ZINC PLATED CARBON STEEL.
 LABEL COVER - POLYCARBONATE MOLDING COMPOUND, CLEAR.
 LABEL - WHITE INDEX PAPER.
- 3. THIS KIT SHIPPED NOT ASSEMBLED.
- △ MOLD OVER ICON FEATURE.



| | |
|----------------|-------------|
| ALPINE WHITE | 1-2111009-3 |
| ELECTRIC IVORY | 1-2111009-1 |
| NEMA GRAY | 2111009-4 |
| WHITE | 2111009-3 |
| BLACK | 2111009-2 |
| LIGHT ALMOND | 2111009-1 |
| COLOR | PART NUMBER |

| | | | |
|----------------------------------------------------------------------------------------------------------------------------------------------------------|--|----------------------------------------------------------------------------------------------------------------------------------|----------------------------------------------------------------------------------|
| DIMENSIONS: [MM] [INCHES] TOLERANCES UNLESS OTHERWISE SPECIFIED: 0 PLC ± .1 1 PLC ± .1 2 PLC ± .1 3 PLC ± .1 4 PLC ± .1 ANGLES ± .1 | | DWN: S. GARRETT 31MAR2009 CHK: R. ASHBY 31MAR2009 APVD: P. ASHBY 31MAR2009 | Tyco Electronics Harrisburg, PA 17105-3608 |
| MATERIAL: △ FINISH: △ | | NAME: KIT, FACEPLATE, COMMERCIAL, SINGLE GANG, 2 PORT PRODUCT SPEC: - APPLICATION SPEC: - WEIGHT: - CUSTOMER DRAWING | SIZE: A 00779 C=2111009 RESTRICTED TO: - SCALE: 2:1 SHEET 1 OF 1 REV A |