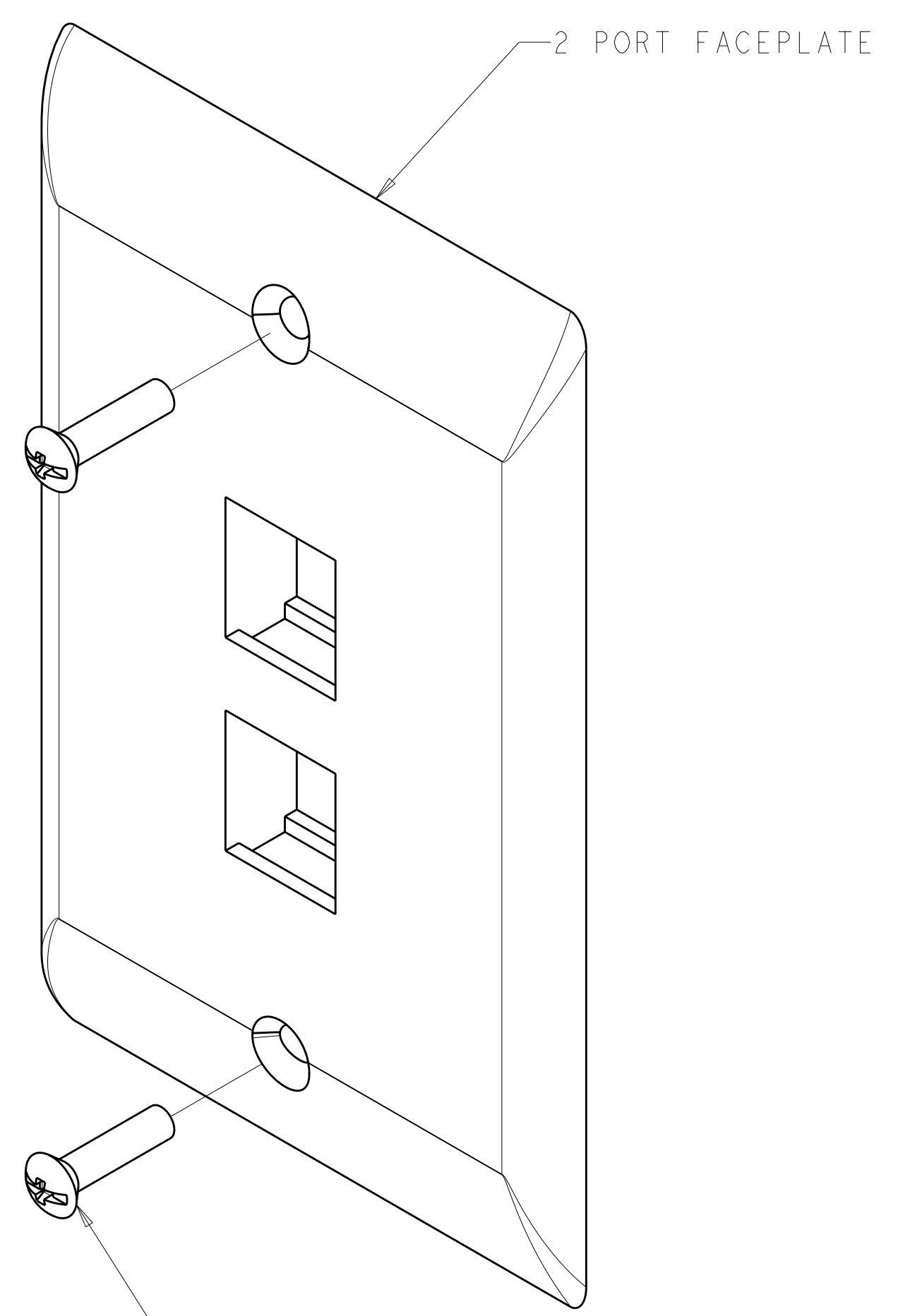
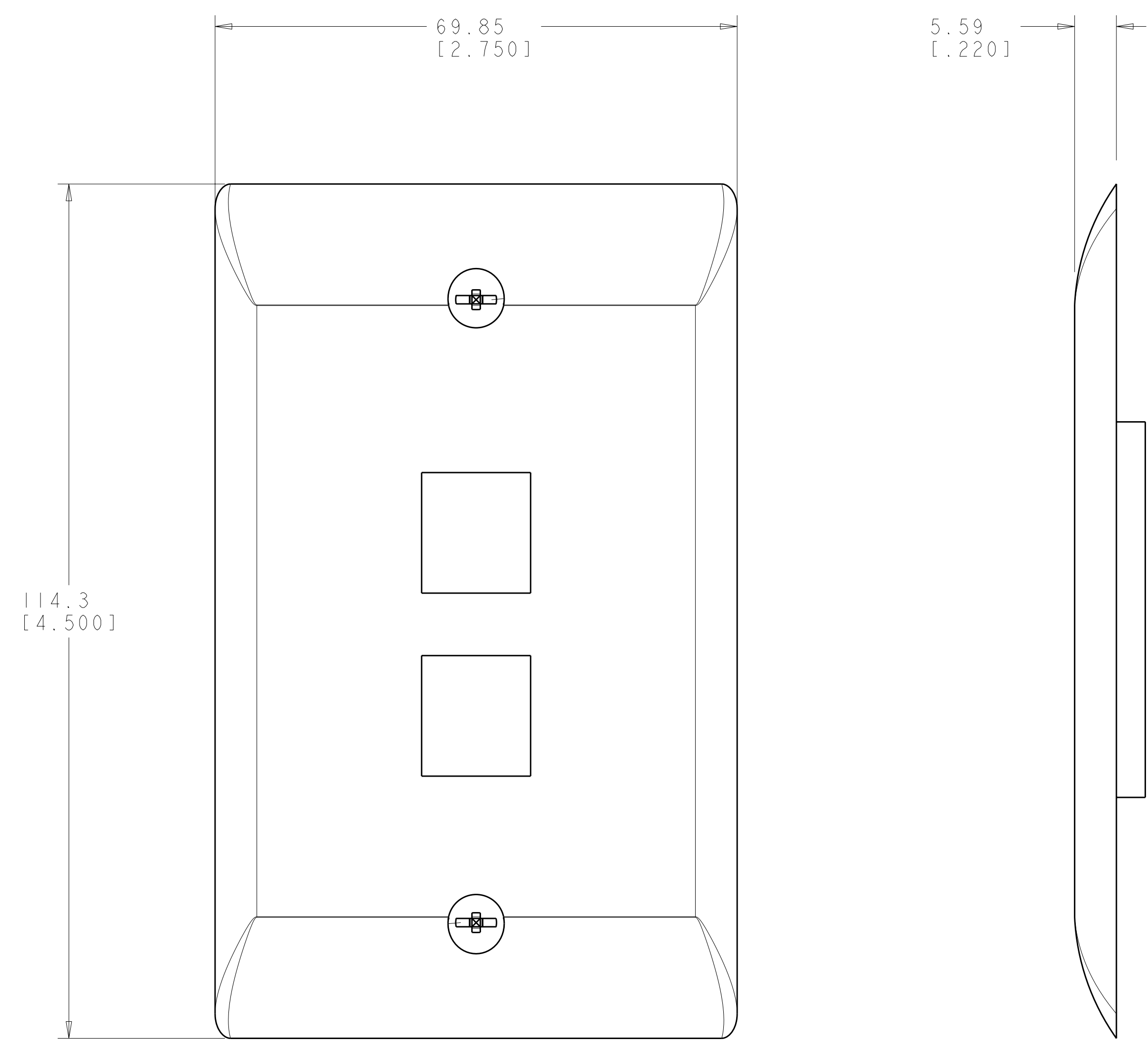


LOC		DIST		REVISIONS			
HM	00	REV	DATE	BY	CHK	APP	REV
A	RLSD: ECO-10-002954		09FEB2010	GG	RA		



6-32X.88 OVAL HEAD SCREW
 QUANTITY 2

- ⚠ DIMENSIONS ARE NOMINAL UNLESS OTHERWISE SPECIFIED.
- ⚠ MATERIAL:
 FACEPLATE - POLYCARBONATE MOLDING COMPOUND.
 SEE TABLE FOR COLORS.
 SCREWS - ZINC PLATED CARBON STEEL.
- 3. THIS KIT SHIPPED NOT ASSEMBLED.



COLOR	PART NUMBER
ALPINE WHITE	1-2111022-3
ELECTRIC IVORY	1-2111022-1
NEMA GRAY	2111022-4
WHITE	2111022-3
BLACK	2111022-2
LIGHT ALMOND	2111022-1

DIMENSIONS: MM [INCHES] TOLERANCES UNLESS OTHERWISE SPECIFIED: 0 PLC ± .1 1 PLC ± .1 2 PLC ± .1 3 PLC ± .1 4 PLC ± .1 ANGLES ± .1		DWN: S. GARRETT 31MAR2009 CHK: R. ASHRY 31MAR2009 APP: R. ASHRY 31MAR2009		Tyco Electronics Harrisburg, PA 17105-3608	
MATERIAL: - FINISH: -		NAME: KIT, FACEPLATE, RESIDENTIAL, SINGLE GANG, 2 PORT PRODUCT SPEC: - APPLICATION SPEC: - WEIGHT: -		SIZE: A 00779 C=2111022 SCALE: 2:1 SHEET: 1 OF 1 REV: A	
CUSTOMER DRAWING					