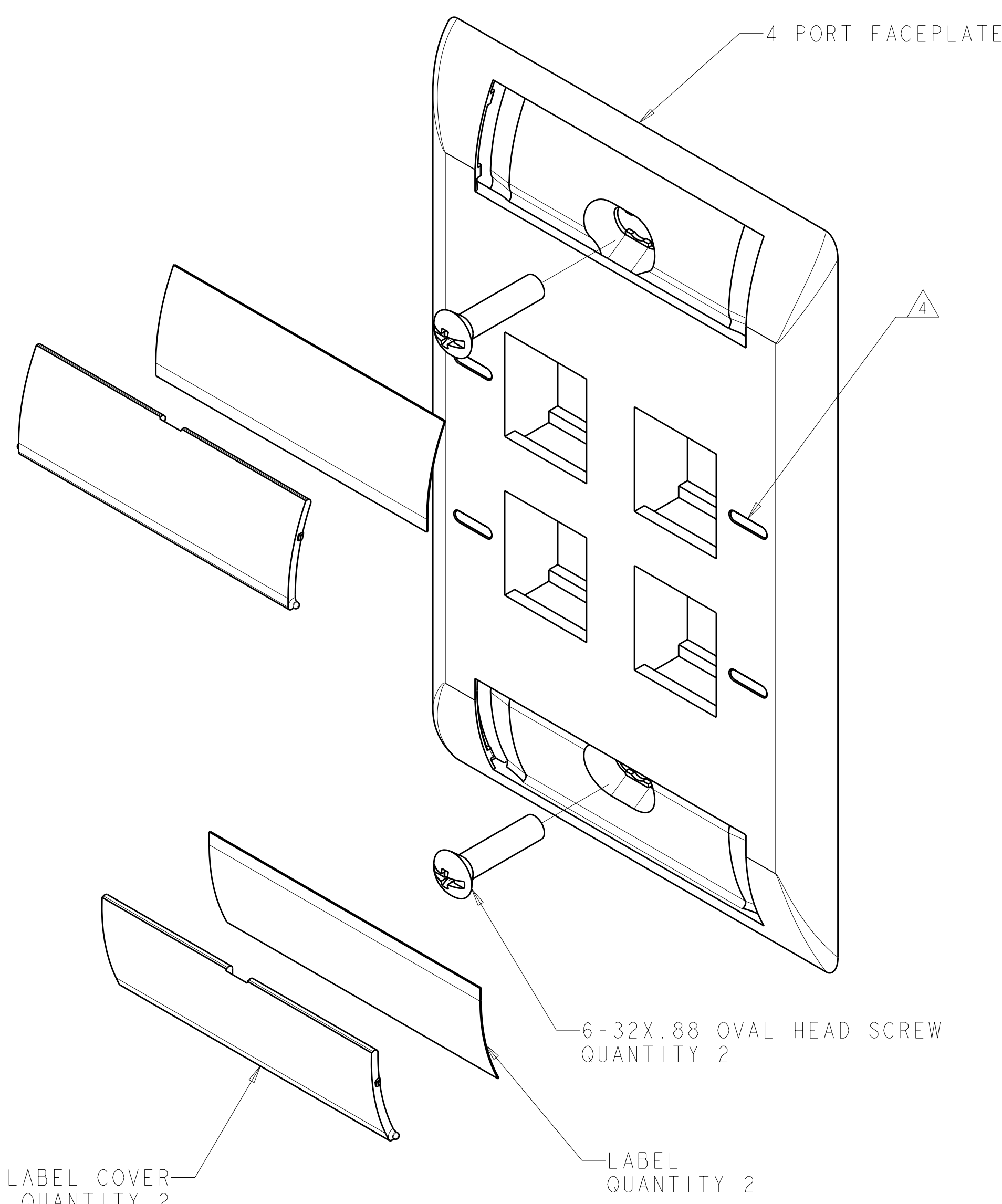
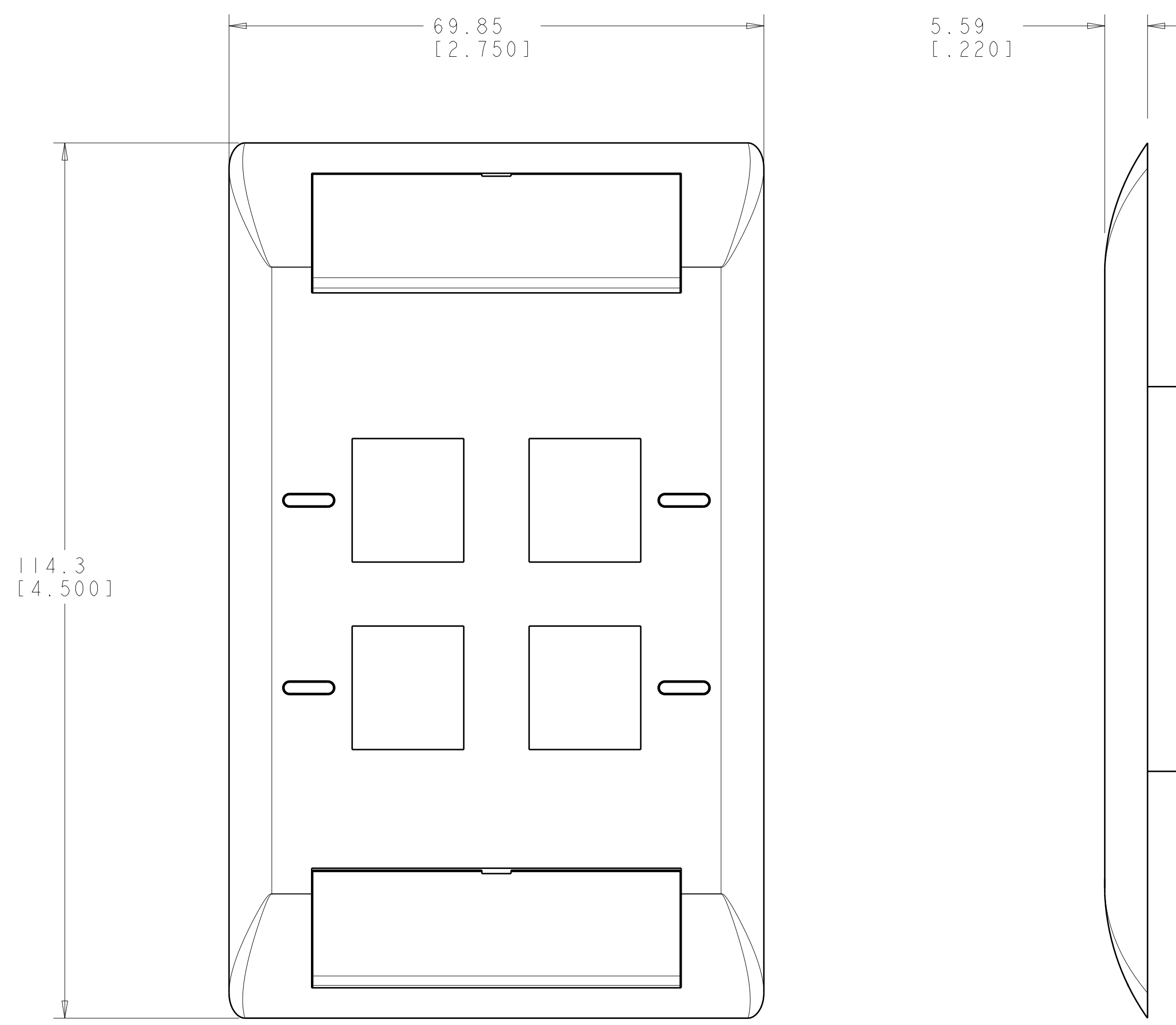


LOC	DIST	REVISIONS			
REV	DATE	BY	CHK	APPD	REV
A	09FEB2010	GG	RA		



- △ DIMENSIONS ARE NOMINAL UNLESS OTHERWISE SPECIFIED.
- △ MATERIAL:
FACEPLATE - POLYCARBONATE MOLDING COMPOUND.
SEE TABLE FOR COLORS.
- SCREWS - ZINC PLATED CARBON STEEL.
- LABEL COVER - POLYCARBONATE MOLDING COMPOUND,
CLEAR.
- LABEL - WHITE INDEX PAPER.
- 3. THIS KIT SHIPPED NOT ASSEMBLED.
- △ MOLD OVER ICON FEATURE.



ALPINE WHITE	1-2111011-3
ELECTRIC IVORY	1-2111011-1
NEMA GRAY	2111011-4
WHITE	2111011-3
BLACK	2111011-2
LIGHT ALMOND	2111011-1
COLOR	PART NUMBER

DIMENSIONS: MM [INCHES]		TOLERANCES UNLESS OTHERWISE SPECIFIED: 0 PLC ± .1 1 PLC ± .1 2 PLC ± .1 3 PLC ± .1 4 PLC ± .1 ANGLES ± .1		DWN: S. GARRETT 31MAR2009 CHK: R. ASHBY 31MAR2009 APPD: R. ASHBY 31MAR2009		Tyco Electronics Harrisburg, PA 17105-3608	
MATERIAL: △ FINISH: △		PRODUCT SPEC: APPLICATION SPEC: WEIGHT: - CUSTOMER DRAWING		NAME: KIT, FACEPLATE, COMMERCIAL, SINGLE GANG, 4 PORT		SIZE: CAGE CODE: DRAWING NO: A100779C=2111011	
AMP 4805 REV 31MAR2000 Pro/ENGINEER DRAWING		SCALE: 2:1		SHEET 1 OF 1		REV A	