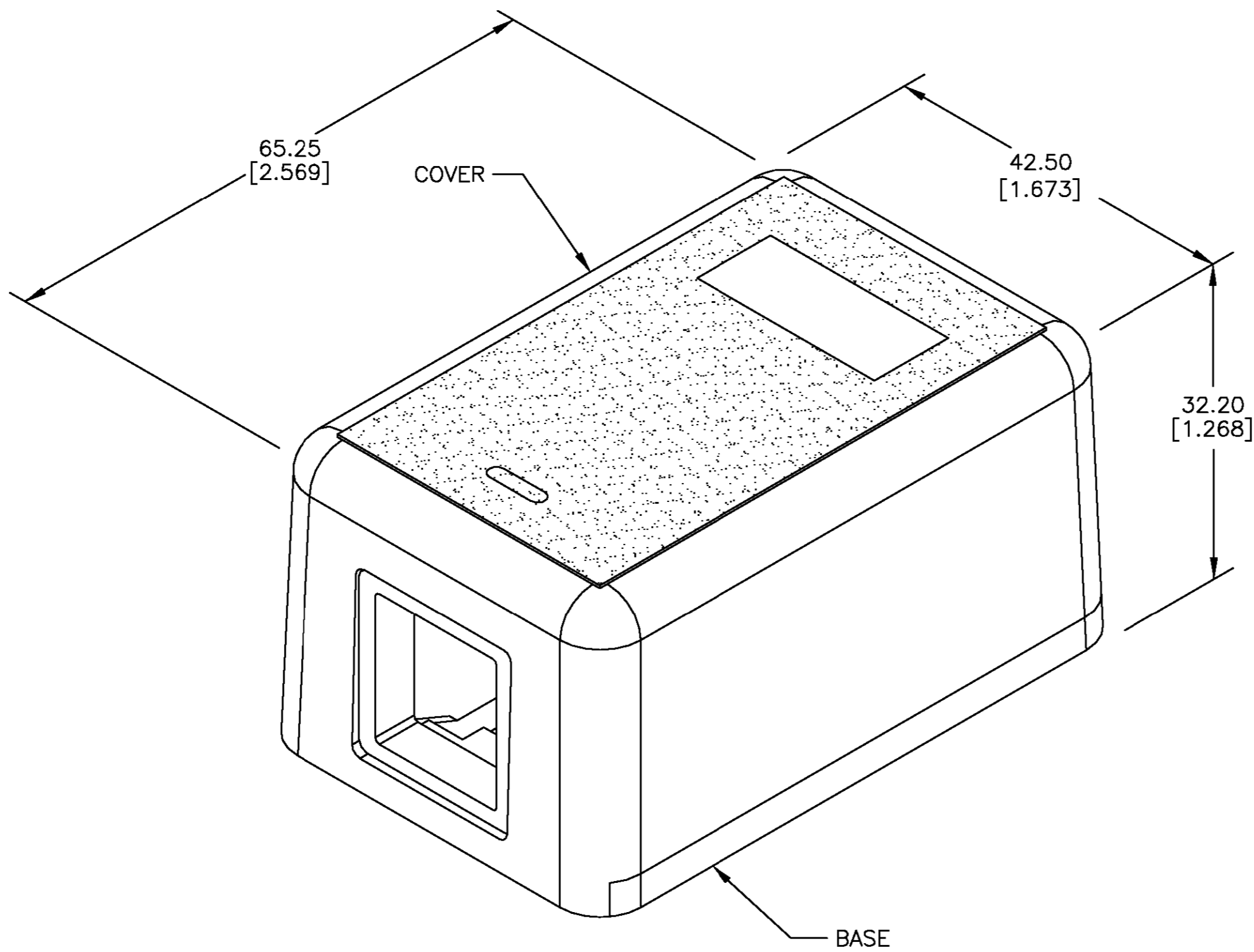
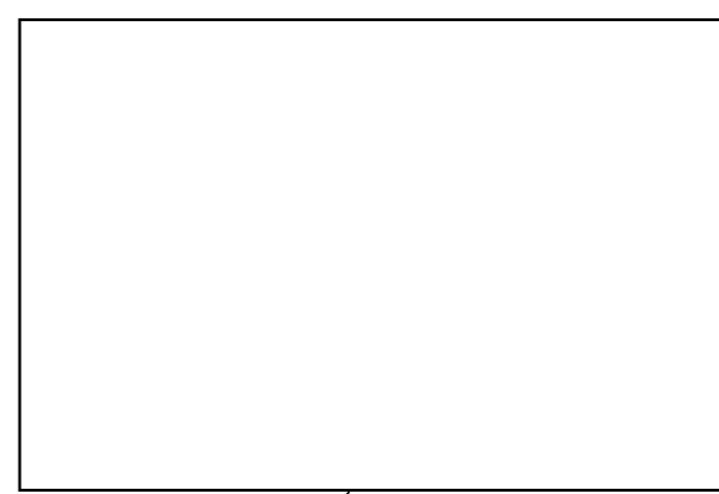


THIS DRAWING IS UNPUBLISHED. RELEASED FOR PUBLICATION .19  
 © COPYRIGHT 19 BY AMP INCORPORATED. ALL RIGHTS RESERVED.

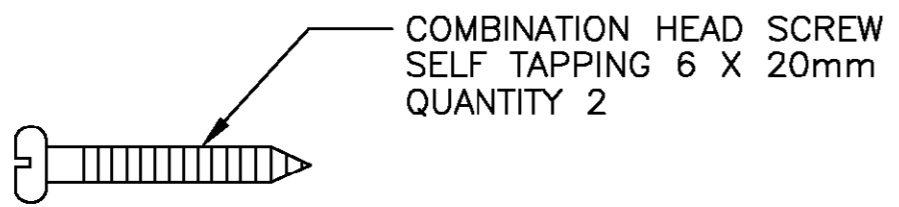
LOC	DIST	REVISIONS			
P	LTR	DESCRIPTION	DATE	DWN	APVD
AA	27	0	RLSD; NPR C99-117	15JUL99	GG GB



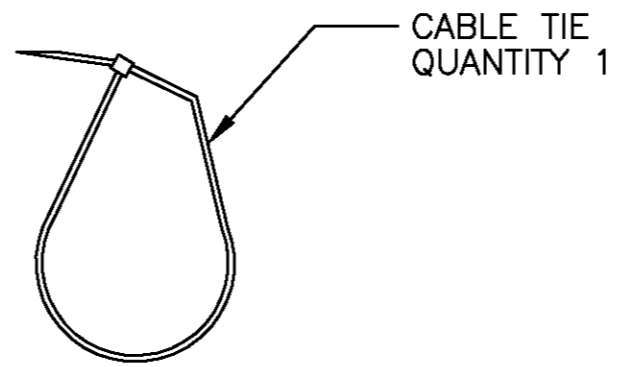
1. MATERIAL: BASE AND COVER - ABS MOLDING COMPOUND UL94V-0. SEE TABLE FOR COLOR. CABLE TIE - NYLON. SCREWS - ZINC PLATED CARBON STEEL.
2. PACKAGED 1 KIT PER POLYBAG.
3. ALL DIMENSIONS SHOWN ARE MAXIMUM.



DOUBLE SIDED FOAM TAPE QUANTITY 1



COMBINATION HEAD SCREW SELF TAPPING 6 X 20mm QUANTITY 2



CABLE TIE QUANTITY 1

COLOR	PART NUMBER
ELECTRIC IVORY	1-1116697-1
NEMA GRAY	1116697-4
WHITE	1116697-3
BLACK	1116697-2
LIGHT ALMOND	1116697-1

THIS DRAWING IS A CONTROLLED DOCUMENT.

DIMENSIONS: mm [INCHES]	TOLERANCES UNLESS OTHERWISE SPECIFIED:	DWN G. GARRETT 15JUL99	CHK G. BOWMAN 15JUL99	APVD G. BOWMAN 15JUL99	NAME
0 PLC ± -	1 PLC ± -	AMP Incorporated		Harrisburg PA 17105-3608	
2 PLC ± -	3 PLC ± -	AMP		KIT, SINGLE PORT MODULAR JACK BOX	
4 PLC ± -	ANGLES ± -	SIZE A2	CAGE CODE 00779	DRAWING NO. C-1116697	RESTRICTED TO
MATERIAL	FINISH	WEIGHT -	CUSTOMER DRAWING		SCALE 2:1 SHEET 1 OF 1 REV 0

1116697