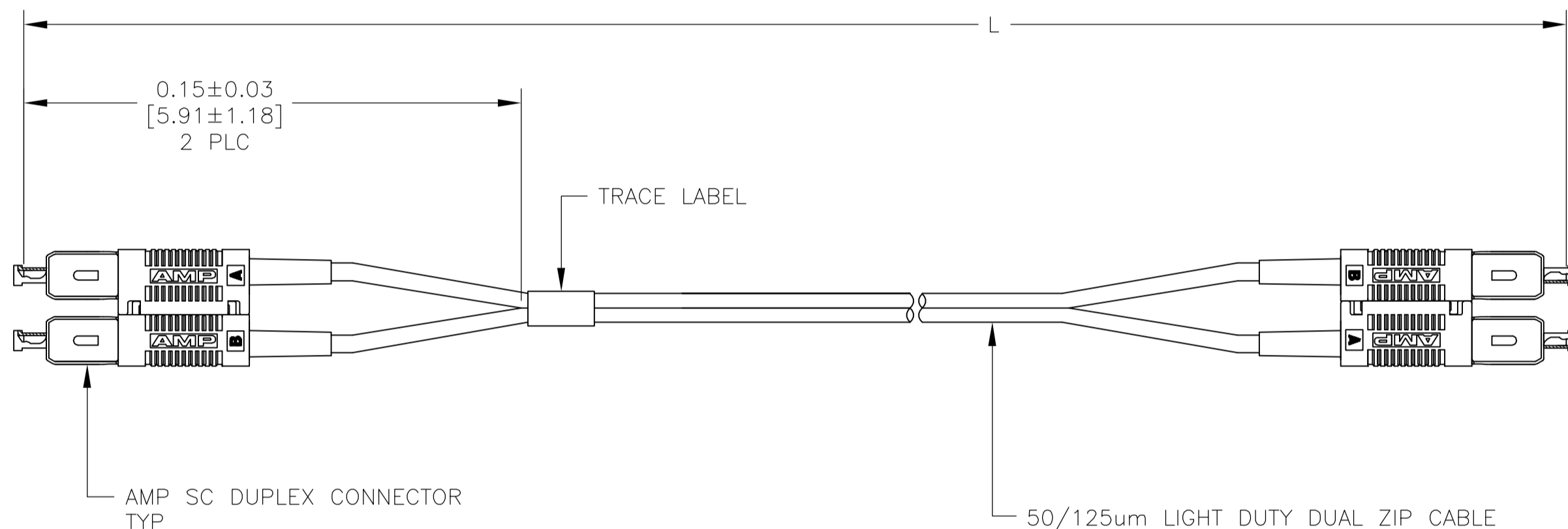


THIS DRAWING IS UNPUBLISHED. RELEASED FOR PUBLICATION  
 © COPYRIGHT BY TYCO ELECTRONICS CORPORATION. ALL RIGHTS RESERVED.

LOC	DIST	REVISIONS			
P	LTR	DESCRIPTION	DATE	OWN	APVD
CE	16	A1	ADDED PART NO 3--2	26JUN06	JWD JD

- 1 MAXIMUM CONNECTOR INSERTION LOSS IS 0.5 dB PLUS CABLE ATTENUATION OF 2 dB/km, AT 1300nm. (SEE TABLE)
2. GEOMETRY REQUIREMENTS: RADIUS OF CURVATURE: 10-30mm
3. PRODUCT AND PROCESSING MUST MEET REQUIREMENTS OF TYCO ELECTRONICS STANDARD 230-702.



MAX IL (dB)	L	PART NUMBER
0.51	7.00±0.08 [275.6±3.0]	3-5504969-2
0.52	19.00±0.30 [748.0±12.0]	3-5504969-1
0.51	13.00±0.15 [511.8±6.0]	3-5504969-0
0.5	0.406±0.03 [16.00±1.00]	2-5504969-9
0.5	1.50±0.05 [59.10±2.00]	2-5504969-8
0.5	0.61±0.03 [24.00±1.00]	2-5504969-7
0.68	91.00±0.91 [3582.68±35.83]	2-5504969-6
0.62	61.00±0.61 [2401.57±24.02]	2-5504969-5
0.58	41.00±0.41 [1614.17±16.14]	2-5504969-4
0.55	25.00±0.30 [984.25±11.81]	2-5504969-3
1.7	600.00±6.00 [23622.05±236.22]	2-5504969-2
1.6	550.00±5.50 [21,653.54±216.54]	2-5504969-1
1.5	500.00±5.00 [19,685.04±196.85]	2-5504969-0
1.4	450.00±4.50 [17,716.54±177.17]	1-5504969-9
1.3	400.00±4.00 [15748.03±157.48]	1-5504969-8
1.2	350.00±3.50 [13779.53±137.95]	1-5504969-7
1.1	300.00±3.00 [11811.02±118.11]	1-5504969-6
1.0	250.00±2.50 [9842.52±98.43]	1-5504969-5
0.9	200.00±2.00 [7874.02±78.74]	1-5504969-4
0.8	150.00±1.50 [5905.51±59.06]	1-5504969-3
0.7	100.00±1.00 [3937.01±39.37]	1-5504969-2
0.65	75.00±0.80 [2952.76±31.50]	1-5504969-1
0.6	50.00±0.50 [1968.50±19.69]	1-5504969-0
0.5	4.00±0.08 [157.48±3.15]	5504969-9
0.56	30.00±0.30 [1181.10±11.81]	5504969-8
0.54	20.00±0.30 [787.40±11.81]	5504969-7
0.53	15.00±0.15 [590.55±5.91]	5504969-6
0.52	10.00±0.15 [393.70±5.91]	5504969-5
0.51	5.00±0.08 [196.85±3.15]	5504969-4
0.5	3.00±0.05 [118.11±1.97]	5504969-3
0.5	2.00±0.05 [78.74±1.97]	5504969-2
0.5	1.00±0.05 [39.37±1.97]	5504969-1

THIS DRAWING IS A CONTROLLED DOCUMENT.

DWN KATHY HE 24OCT05	 Tyco Electronics Corporation Harrisburg Pa, 17105-3608
CHK RICHARD ZHAO 24OCT05	
APVD J. DUNCAN 24OCT05	NAME CABLE ASSY, FIBER OPTIC, 50/125um LDD ZIP, AMP SC DUPLEX, FIBRE CHANNEL, OPTIMATE
PRODUCT SPEC	
APPLICATION SPEC	
MATERIAL	WEIGHT
FINISH	
CUSTOMER DRAWING	

SIZE A2	CAGE CODE 00779	DRAWING NO 5504969	RESTRICTED TO
SCALE NTS	SHEET 1	OF 1	REV A1