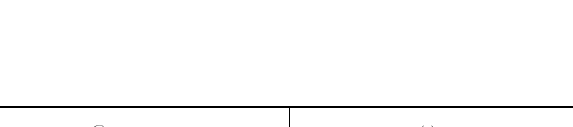
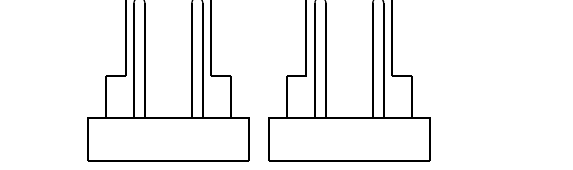
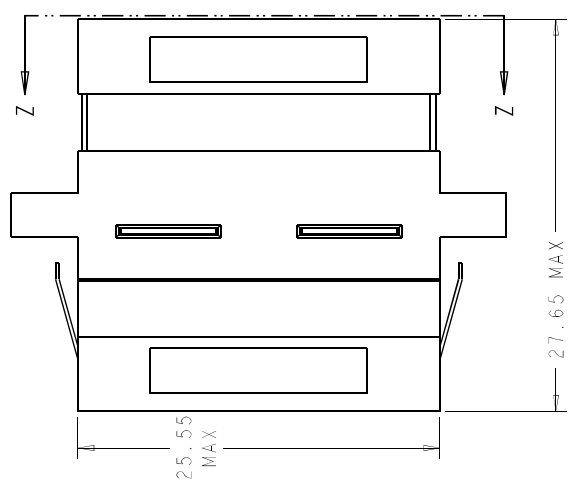
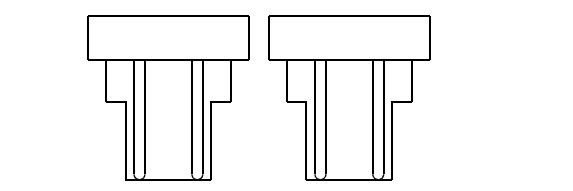
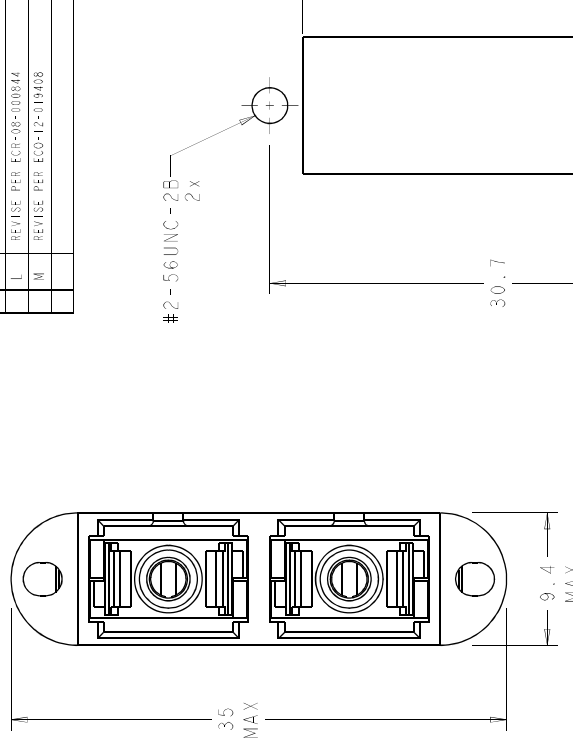


REV	DATE	DESCRIPTION	BY	CHK
1	08/01/04	INITIAL RELEASE	SM	SM
2	08/01/04	REVISION PER ECO-12-019408	SM	SM
3	08/01/04	REVISION PER ECO-12-019408	SM	SM
4	08/01/04	REVISION PER ECO-12-019408	SM	SM

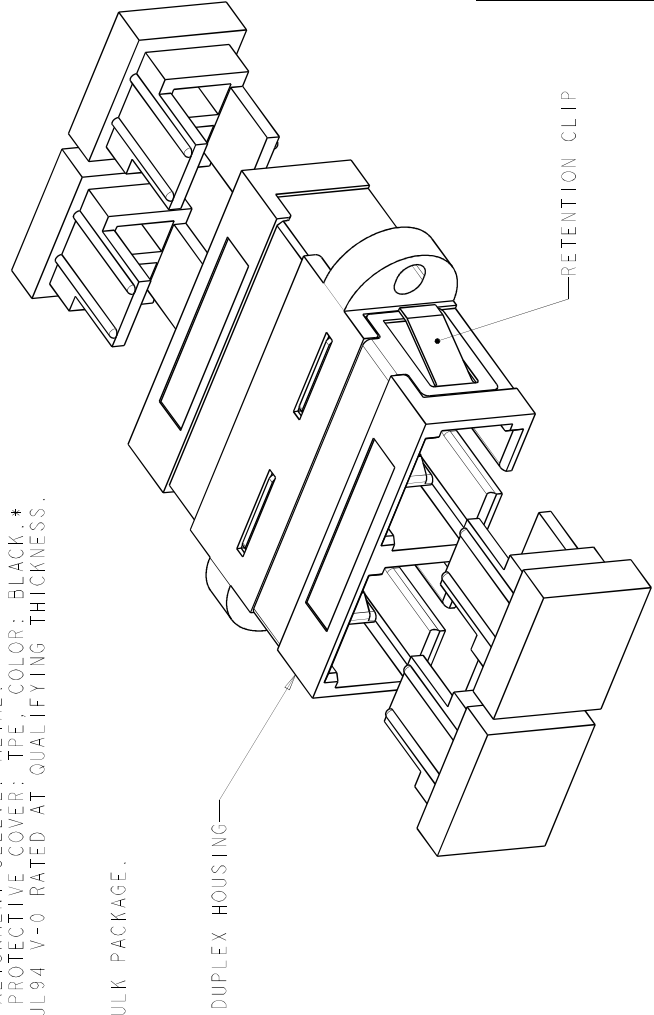


#2-56UNC-2B
2x

SUGGESTED PANEL CUTOUT
MAX PANEL THICKNESS 1.7

△ MATERIAL:
HOUSING: PBT-GF30, SEE DASH NUMBERS FOR COLOR.*
RETAINER: PEI-GF30, COLOR: BLACK.*
RETENTION CLIP: STAINLESS STEEL.
ALIGNMENT SLEEVE: METAL
PROTECTIVE COVER: TPE, COLOR: BLACK.*
*UL94 V-0 RATED AT QUALIFYING THICKNESS.

△ BULK PACKAGE.



OBsolete	RETENTION CLIP	BLACK	504640-4
OBsolete	NONE	LT ALMOND	504640-3
△ OBsolete	RETENTION CLIP	BEIGE	504640-2
OBsolete	RETENTION CLIP	BEIGE	504640-1
INCLUDED HARDWARE			COLOR
PART NUMBER			504640-4

REV	DATE	DESCRIPTION	BY	CHK
1	08/01/04	INITIAL RELEASE	SM	SM
2	08/01/04	REVISION PER ECO-12-019408	SM	SM
3	08/01/04	REVISION PER ECO-12-019408	SM	SM
4	08/01/04	REVISION PER ECO-12-019408	SM	SM

REV	DATE	DESCRIPTION	BY	CHK
1	08/01/04	INITIAL RELEASE	SM	SM
2	08/01/04	REVISION PER ECO-12-019408	SM	SM
3	08/01/04	REVISION PER ECO-12-019408	SM	SM
4	08/01/04	REVISION PER ECO-12-019408	SM	SM