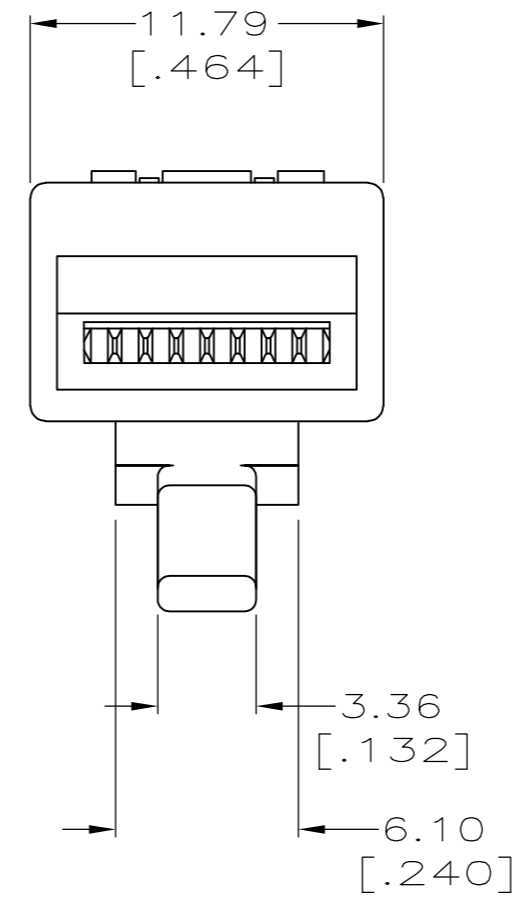
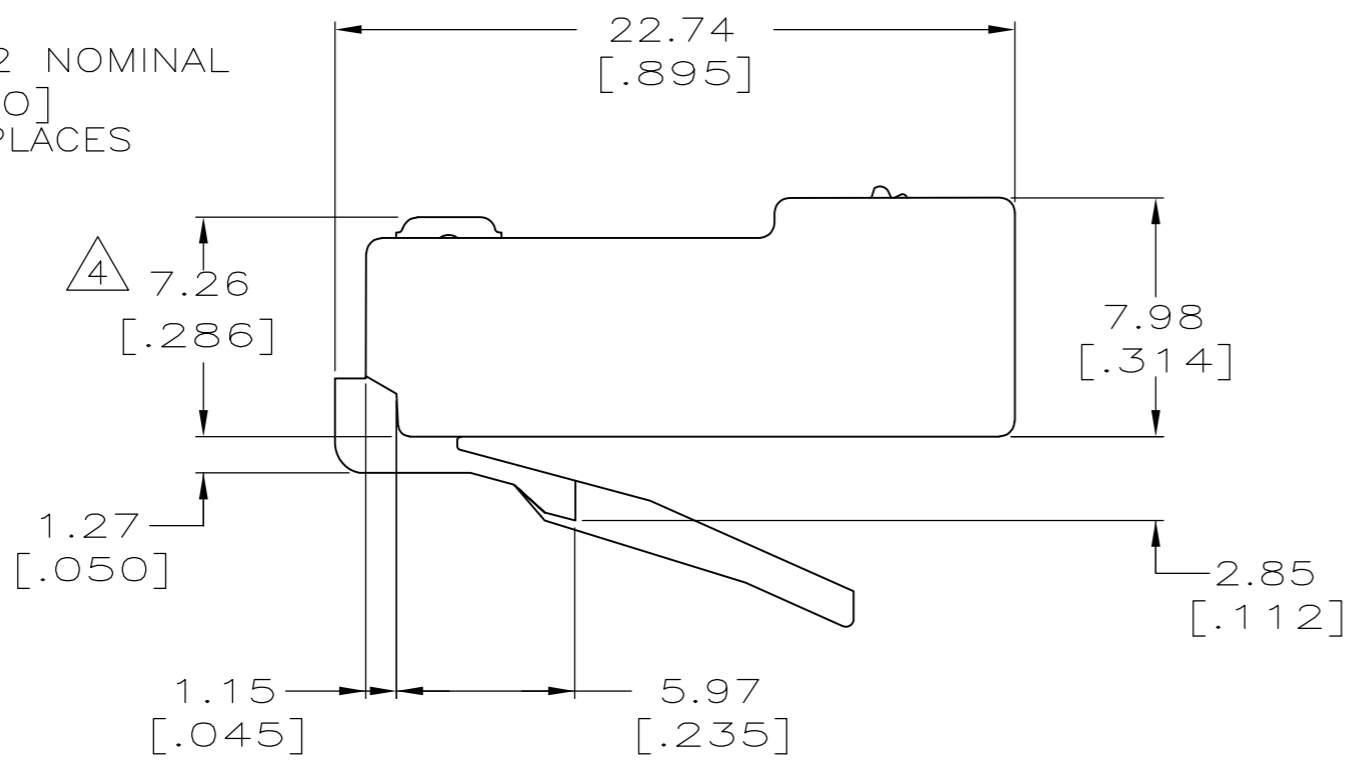
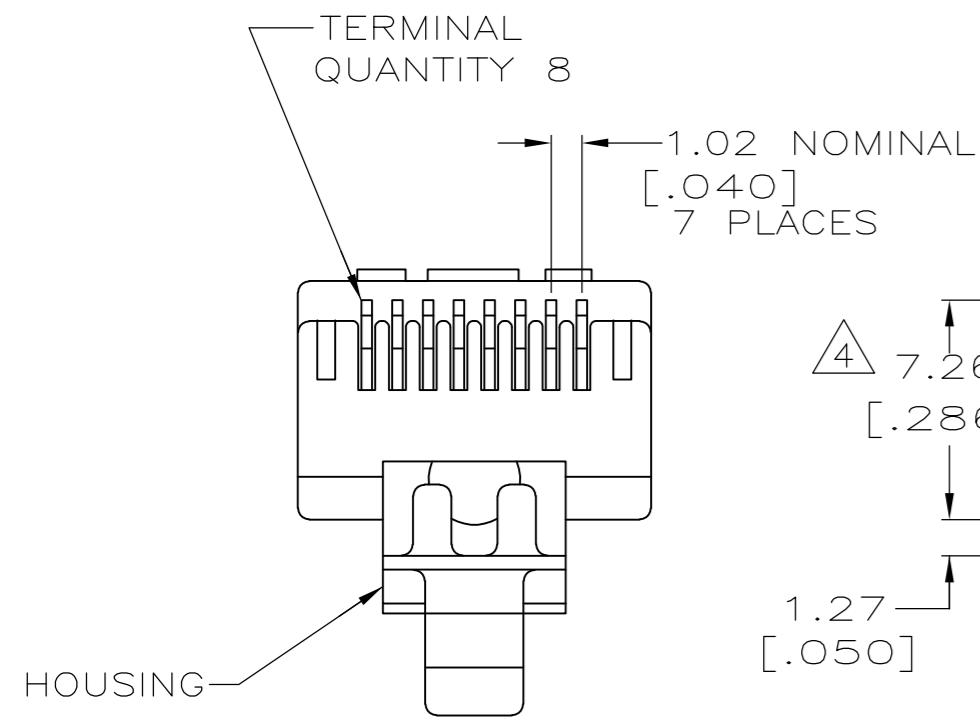
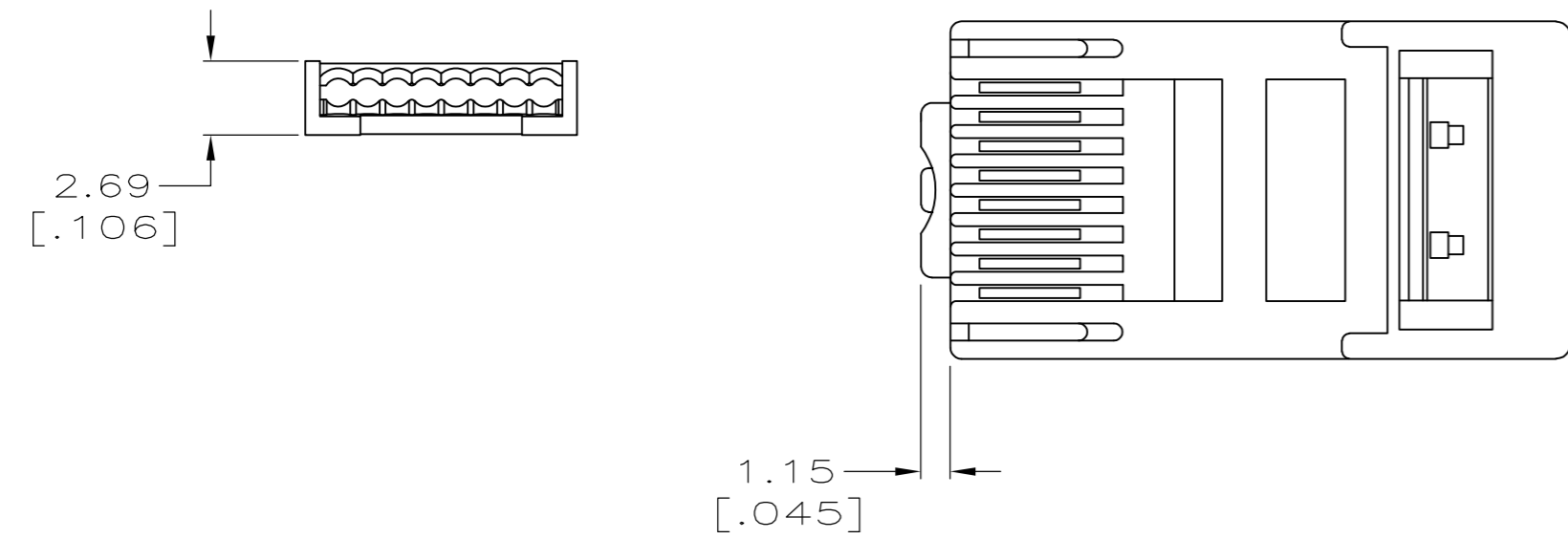
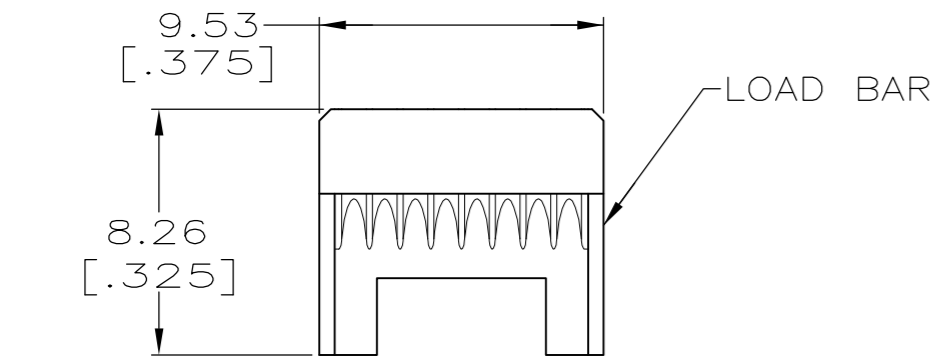


THIS DRAWING IS UNPUBLISHED. RELEASED FOR PUBLICATION  
 © COPYRIGHT - By - ALL RIGHTS RESERVED.

LOC		DIST		REVISIONS			
P	LTR	DESCRIPTION		DATE	DWN	APVD	
HM	00	F		REVISED PER ECO-12-012703	13JUL2012	GG	JG



1 MATERIAL:  
 HOUSING - 94V-0 RATED POLYCARBONATE, CLEAR.  
 TERMINAL - 0.36[.014] THICK PHOSPHOR BRONZE PLATED WITH 1.27 $\mu$ m[.000050] MINIMUM THICK GOLD IN LOCALIZED AREA OVER 2.54 $\mu$ m[.000100] MINIMUM THICK NICKEL UNDERPLATE.  
 LOAD BAR - PBT POLYESTER, BLACK.

2 DIMENSIONS ARE MAXIMUM UNLESS OTHERWISE SPECIFIED.

3. PLUG WILL ACCEPT A 24,26 OR 28 AWG SOLID CONDUCTOR, PROVIDED THE INSULATED CONDUCTOR DIAMETER IS 0.89[.035] TO 0.99[.039]; WITH AN UNSHIELDED, PLIABLE, LOOSE CABLE JACKET OF 4.83[.190] TO 5.59[.220] DIAMETER OR AN UNSHIELDED, RIGID, HARD CABLE JACKET OF 4.83[.190] TO 5.08[.200] DIAMETER.

4 TERMINATED DIMENSION 6.15[.242] MAXIMUM.

5 500 ASSEMBLIES AND 500 LOAD BARS PER PACKAGE.

6 100 ASSEMBLIES AND 100 LOAD BARS PER PACKAGE.

8 10,000 ASSEMBLIES AND 10,000 LOAD BARS PER PACKAGE.

9. UL RECOGNIZED: FILE NUMBER E81956.

6	5-569278-3
5	5-569278-2
8	5-569278-1
PACKAGED	PART NUMBER

THIS DRAWING IS A CONTROLLED DOCUMENT.		DWN	DL DRUMMOND	5-22-95		TE Connectivity			
DIMENSIONS: mm		CHK	D. AHERON	5-22-95		NAME			
TOLERANCES UNLESS OTHERWISE SPECIFIED:		APVD	E. LAURER	5-22-95		MODULAR PLUG ASSEMBLY, 8 POSITION, ROUND CABLE, SOLID WIRE			
0 PLC ± - 1 PLC ± - 2 PLC ± - 3 PLC ± - 4 PLC ± - ANGLES ± -		PRODUCT SPEC	-			SIZE	CAGE CODE	DRAWING NO	RESTRICTED TO
MATERIAL		FINISH	WEIGHT		-	A2	00779	C=569278	-
			CUSTOMER DRAWING			SCALE	4:1	SHEET	1 of 1
								REV	F