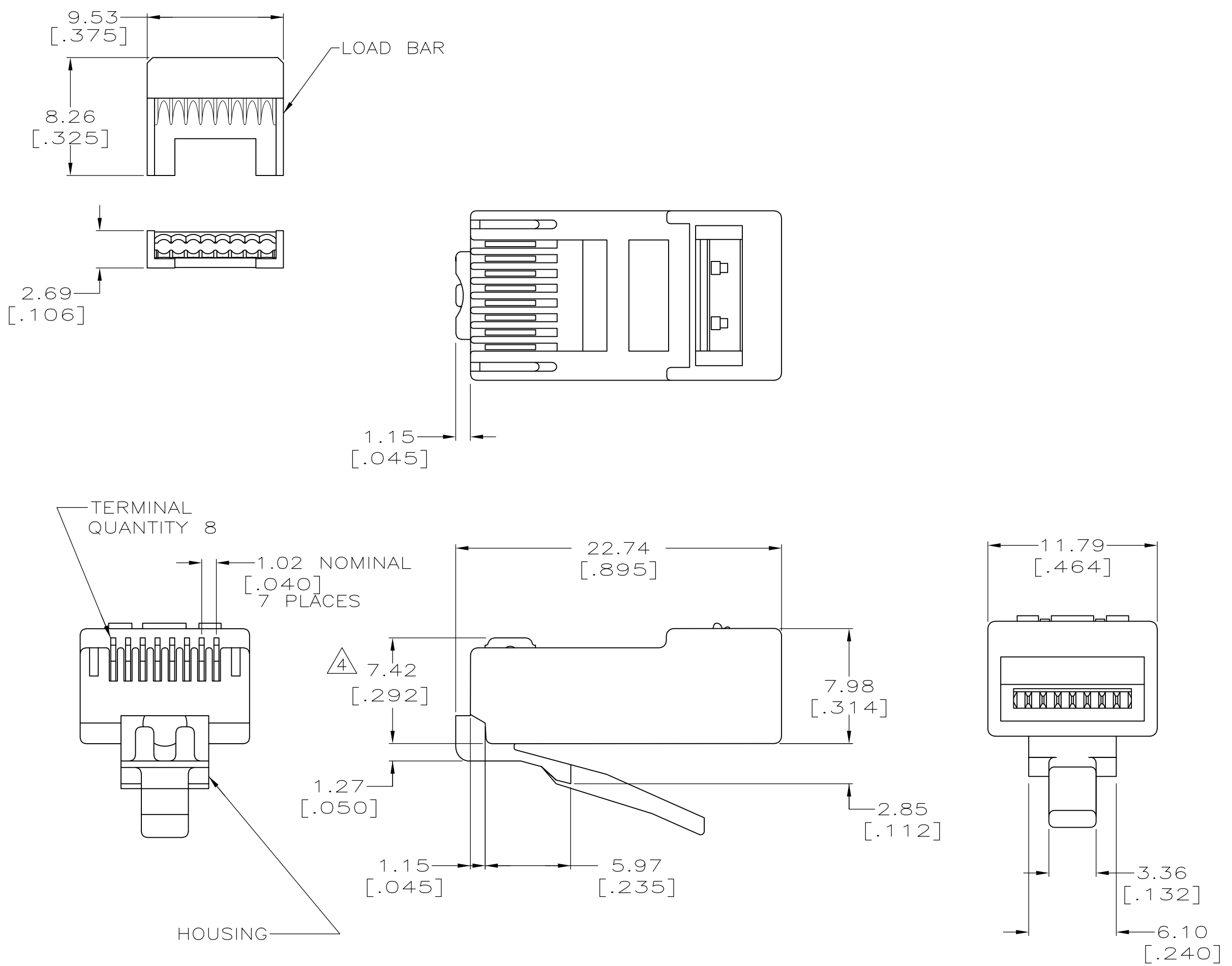


THIS DRAWING IS UNPUBLISHED. RELEASED FOR PUBLICATION  
 © COPYRIGHT - By - ALL RIGHTS RESERVED.

LOC	DIST	REVISIONS			
P	LTR	DESCRIPTION	DATE	OWN	APVD
HM	00	H	REV PER ECO-12-012918	05JUL2012	JM JG

D  
C  
B  
A



- 1. MATERIAL:  
 HOUSING-94V-0 RATED POLYCARBONATE,CLEAR.  
 TERMINAL-0.36[.014] THICK PHOSPHOR  
 BRONZE PLATED WITH 1.27 $\mu$ m[.000050]  
 MINIMUM THICK GOLD IN LOCALIZED  
 AREA, OVER 2.54 $\mu$ m[.000100] MINIMUM THICK  
 NICKEL UNDERPLATE.  
 LOAD BAR - PBT POLYESTER, BLACK.
- 2. DIMENSIONS ARE MAXIMUM UNLESS  
 OTHERWISE SPECIFIED.
- 3. PLUG WILL ACCEPT A 24 AWG STRANDED  
 CONDUCTOR, PROVIDED THE INSULATED  
 CONDUCTOR DIAMETER IS LESS THAN OR  
 EQUAL TO 0.99 [.039]; WITH A MAXIMUM  
 CABLE JACKET DIAMETER OF 5.59 [.220],  
 MINIMUM 4.83 [.190].
- 4. TERMINATED DIMENSION 6.15[.242]  
 MAXIMUM.
- 5. 500 ASSEMBLIES AND 500 LOAD  
 BARS PER PACKAGE.
- 6. 100 ASSEMBLIES AND 100 LOAD  
 BARS PER PACKAGE.
- 8. 10,000 ASSEMBLIES AND 10,000  
 LOAD BARS PER PACKAGE.
- 9. UL RECOGNIZED: FILE NUMBER E81956

558530

6	5-558530-3
5	5-558530-2
8	5-558530-1
PACKAGED	PART NUMBER

THIS DRAWING IS A CONTROLLED DOCUMENT.		DWN T. WOOTEN 5-31-94	TE Connectivity	
DIMENSIONS: mm[INCHES]		CHK D. HUSSEY 7-13-94	APVD	
TOLERANCES UNLESS OTHERWISE SPECIFIED:		NAME		
0 PLC ± -	1 PLC ± -	PRODUCT SPEC		
2 PLC ± -	3 PLC ± -	108-1163		
4 PLC ± -	ANGLES ± -	APPLICATION SPEC		
FINISH	FINISH	SIZE	CAGE CODE	DRAWING NO
- 1	- 1	A2	00779	558530
MATERIAL		WEIGHT	RESTRICTED TO	
-		-	-	
CUSTOMER DRAWING		SCALE	SHEET	REV
		4:1	1 of 1	H