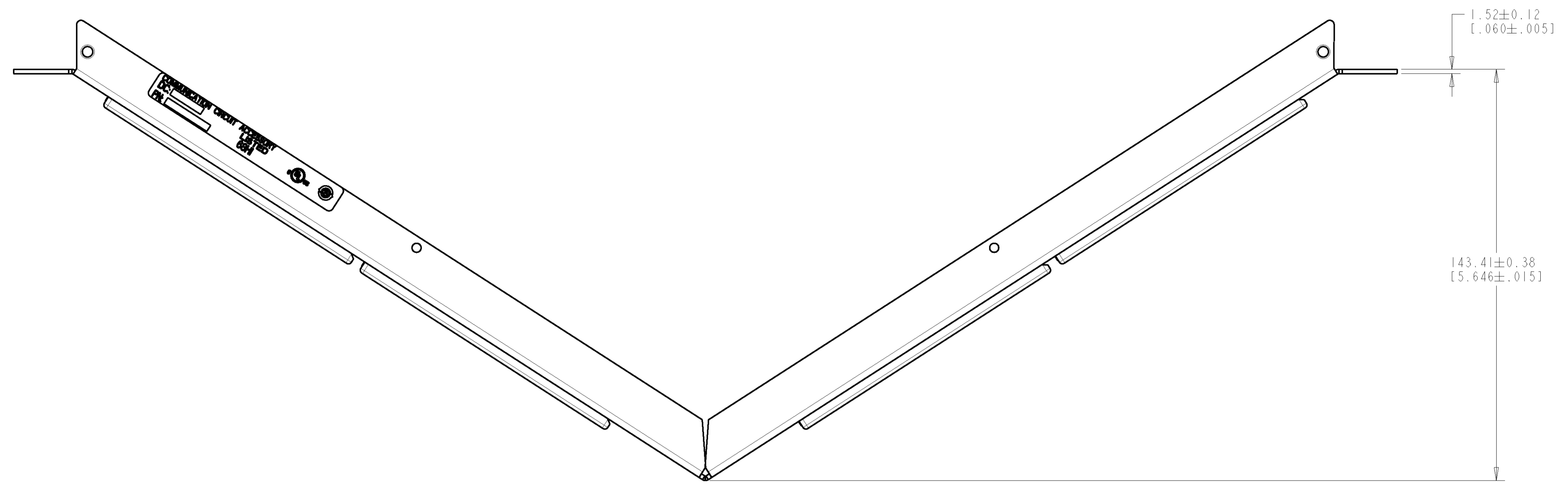
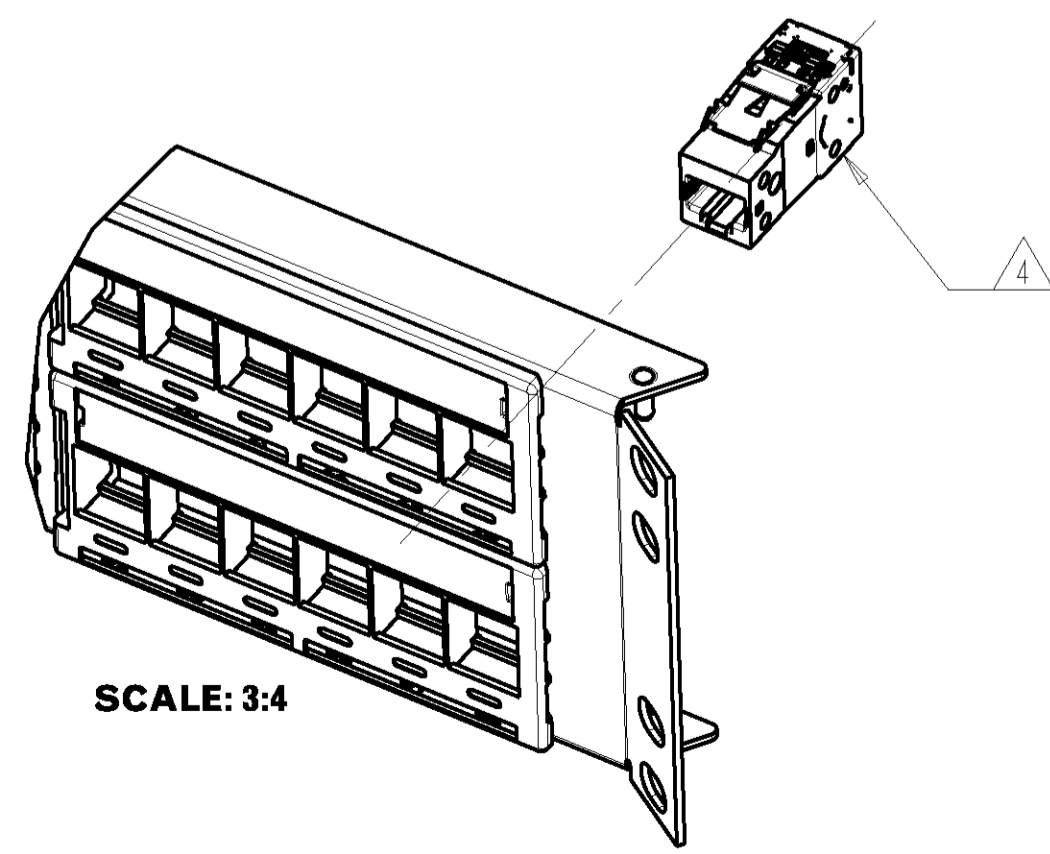
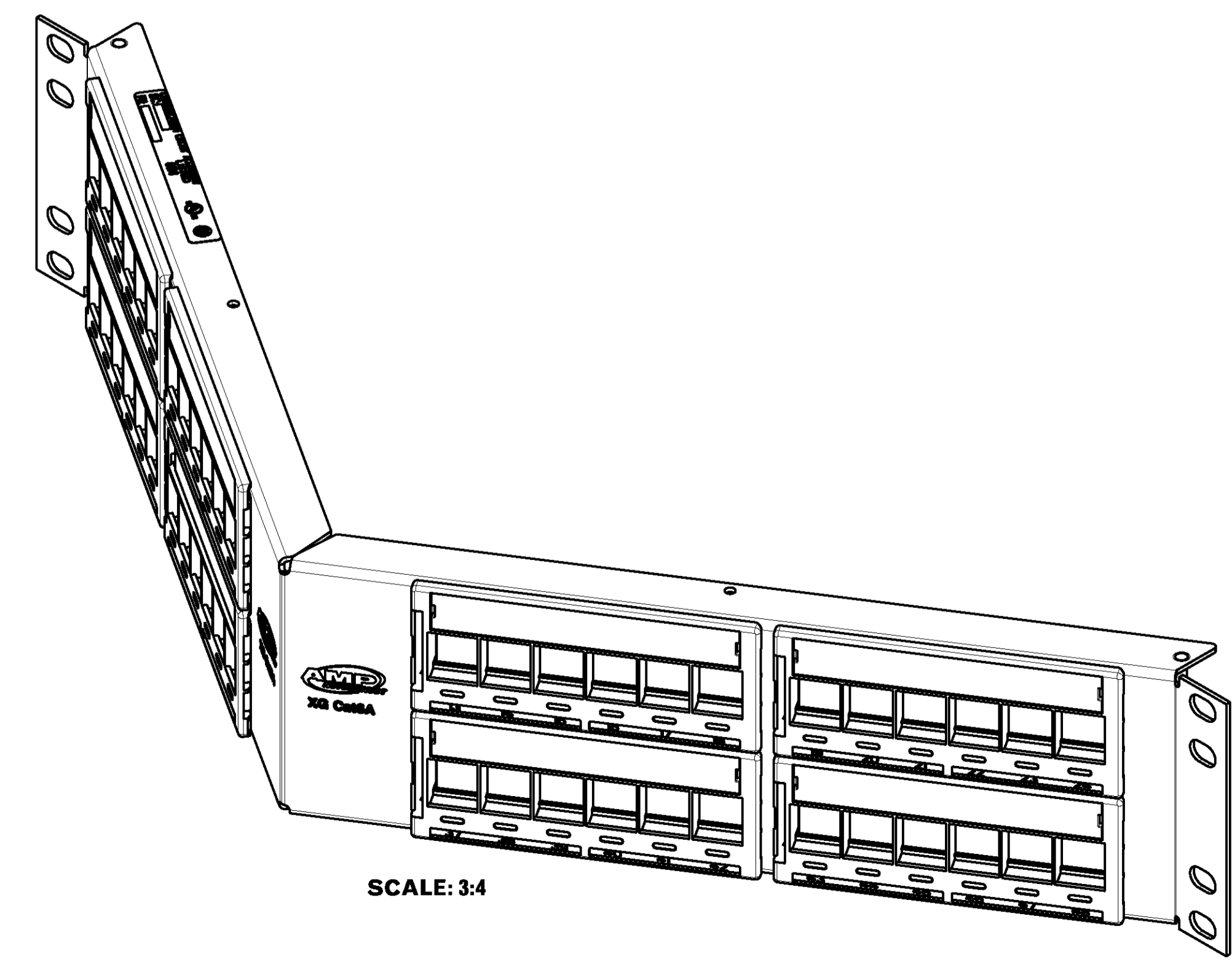
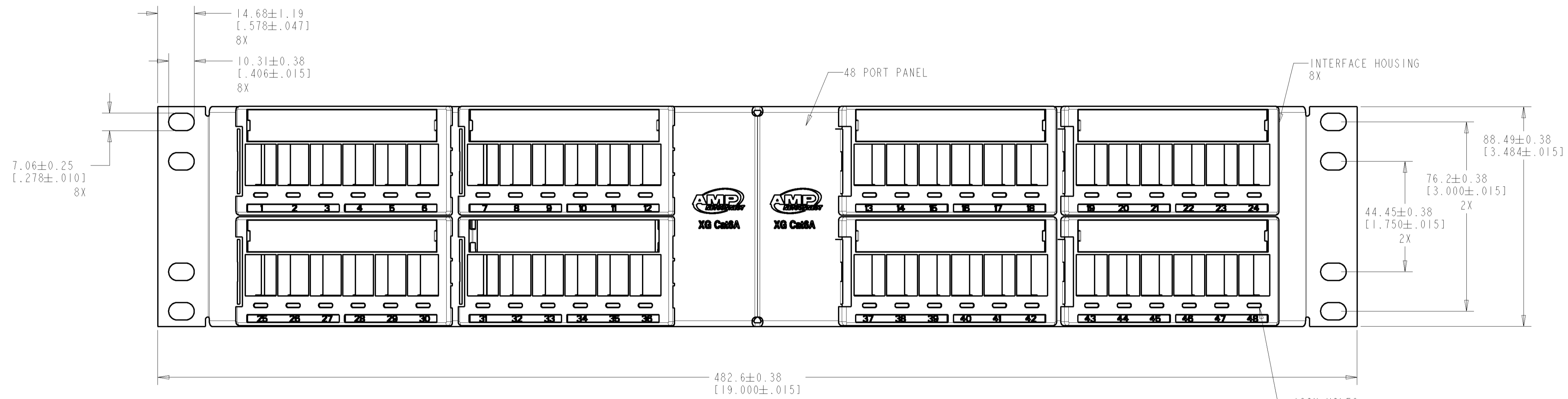


LOC	DIST	REVISIONS				
		REV	DESCRIPTION	DATE	DWN	APVD
HM	00	F	REV: ECO-09-023897	30OCT2009	GG	SH



- △ MATERIAL:
 INTERFACE: POLYESTER MOLDING COMPOUND, BLACK.
 PANEL: BLACK POWDER COAT STEEL WITH WHITE MARKINGS.
- 2. MOUNTING HARDWARE INCLUDED EACH ASSEMBLY:
 FOUR, 10-32 X.50 TRILOBULAR SCREWS W/ CAPTIVE STARWASHER.
 FOUR, 12-24 X.50 TRILOBULAR SCREWS W/ CAPTIVE STARWASHER.
- △ 3. ICONS MAY BE PURCHASED SEPARATELY.
- △ 4. 48 AMP TWIN JACKS SHIPPED LOOSE, WITH ASSEMBLY.



1933322-2
 PART NO.

DIMENSIONS: MM [INCHES]		TOLERANCES UNLESS OTHERWISE SPECIFIED: 0 PLC ± 1 PLC ± 2 PLC ± 3 PLC ± 4 PLC ± ANGLES ±		DWN J MCNEAL 09APR2007 CHK S HERNDON 09APR2007 APVD S HERNDON 09APR2007		AMP Incorporated Harrisburg, PA 17105-3608	
MATERIAL: △		FINISH: △		NAME: ASSY, SHIELDED HSG, 2U, 48P, XG, ANGLED		SIZE: A1 CAGE CODE: 00779 DRAWING NO: C=1933322	
CUSTOMER DRAWING				WEIGHT: -		RESTRICTED TO: -	
SCALE: 1:1				SHEET: 1 OF 1		REV: F	