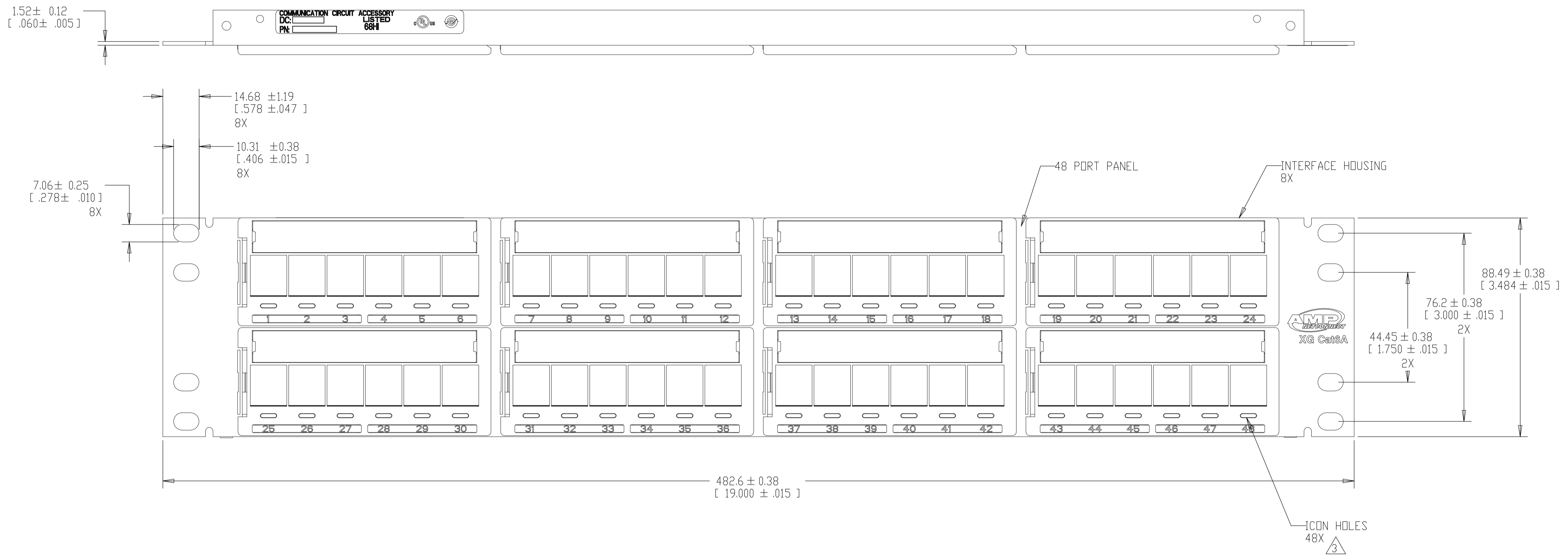
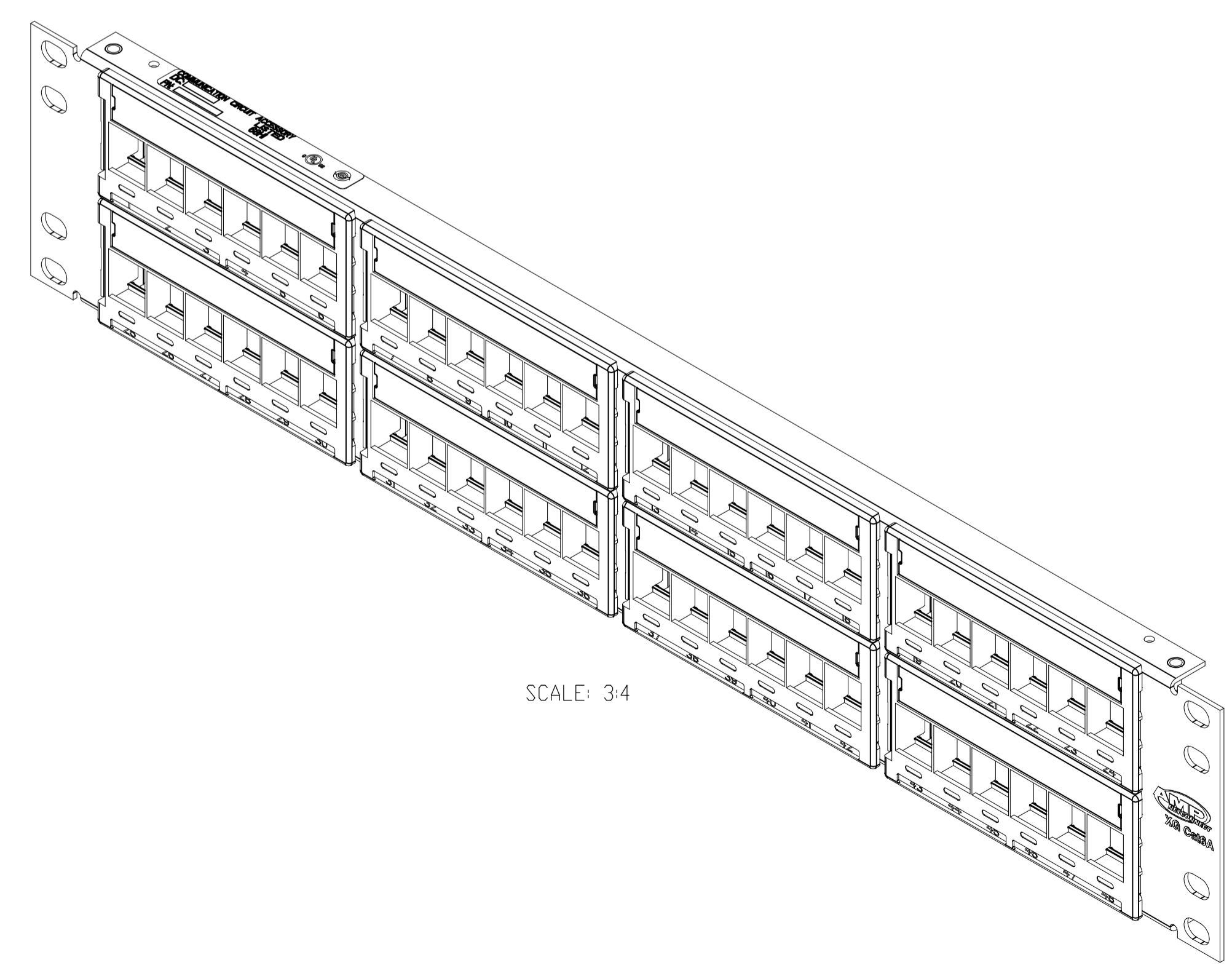


LOC		DIST		REVISIONS			
P	LTR	DESCRIPTION	DATE	DWN	APVD		
E		REV: ECO-09-023897	30OCT2009	GG	SH		



- △ MATERIAL:
 INTERFACE: POLYESTER MOLDING COMPOUND, BLACK.
 PANEL: BLACK POWDER COAT STEEL WITH WHITE MARKINGS.
- 2. MOUNTING HARDWARE INCLUDED EACH ASSEMBLY:
 FOUR, 10-32 X.50 TRILOBULAR SCREWS W/ CAPTIVE STARWASHER.
 FOUR, 12-24 X.50 TRILOBULAR SCREWS W/ CAPTIVE STARWASHER.
- △ 3 ICONS MAY BE PURCHASED SEPARATELY.
- △ 4 48 AMP TWIST JACKS SHIPPED LOOSE, WITH ASSEMBLY.
 NOT SHOWN ON DRAWING.



△ 4	1933320-2
DESCRIPTION	PART NO.

THIS DRAWING IS A CONTROLLED DOCUMENT.		DIN J MCNEAL 08APR2007		Tyco Electronics Corporation	
DIMENSIONS: mm		CHK S HERNDON 08APR2009		Harrisburg, PA 17105-3608	
TOLERANCES UNLESS OTHERWISE SPECIFIED:		APVD S HERNDON 08APR2009		NAME	
0. PLC	± .005	PRODUCT SPEC		ASSY, SHIELDED HSG, 2U, 48P, XG, FLAT	
1. PLC	± .005	APPLICATION SPEC		-	
2. PLC	± .005	SIZE		A1	
3. PLC	± .005	CAGE CODE		00779	
4. PLC	± .005	DRAWING NO		1933320	
ANGLES	± .005	WEIGHT		-	
MATERIAL	△ 1	CUSTOMER DRAWING		SCALE 1:1 SHEET 1 OF 1 REV E	