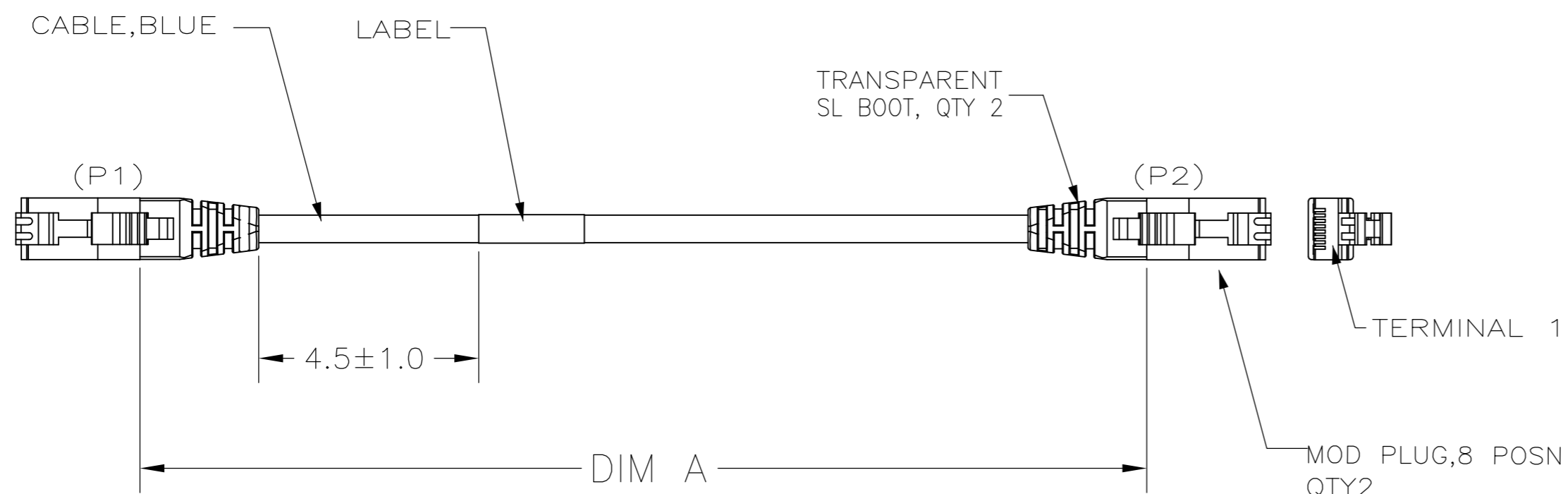
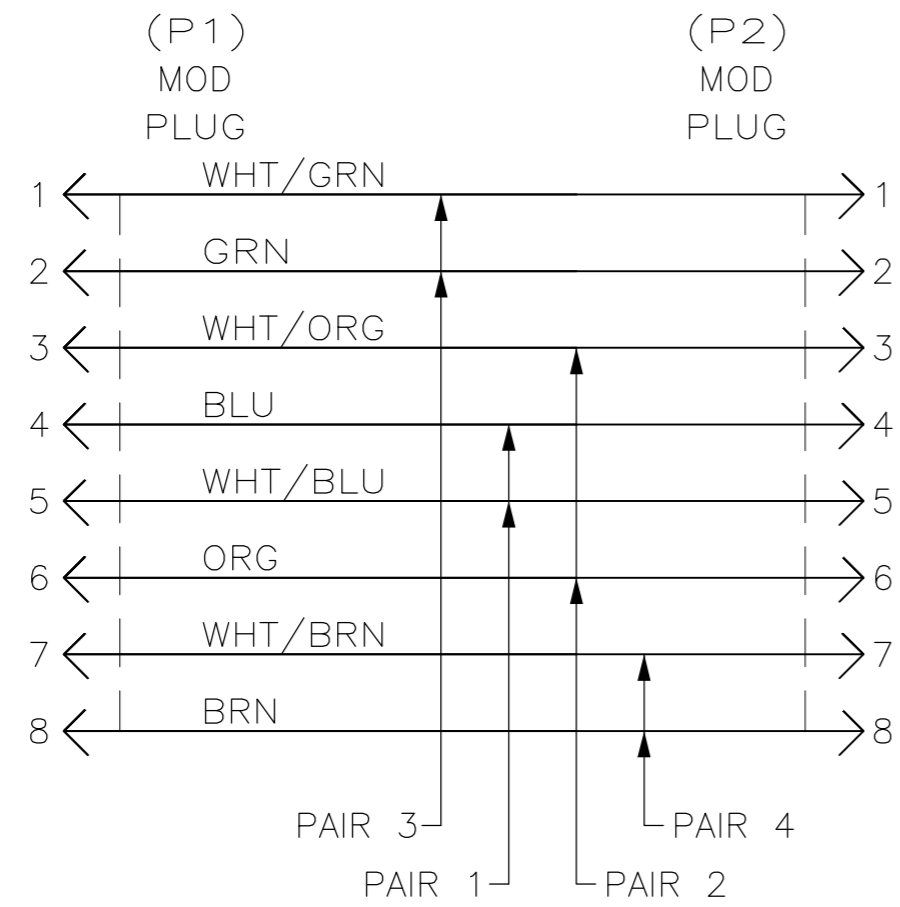


THIS DRAWING IS UNPUBLISHED. RELEASED FOR PUBLICATION  
 © COPYRIGHT BY TYCO ELECTRONICS CORPORATION. ALL RIGHTS RESERVED.

LOC	DIST	REVISIONS					
		P	LTR	DESCRIPTION	DATE	DWN	APVD
ES	00	A		ECR-09-010375	08MAY09	JG	RC



- ONE CABLE ASSEMBLY PACKAGED IN A POLY BAG.
- CABLE: UNSHIELDED, 24AWG, 4 TWISTED PAIRS 7/32 STRANDED CONDUCTORS, 100 OHMS.
- ⚠ DIMENSIONS ARE MAXIMUM UNLESS OTHERWISE SPECIFIED.
- DESIGNATIONS IN PARENTHESES ( ) ARE FOR REFERENCE ONLY.
- ⚠ WIRES TO BE LACED IN MOD PLUG PER COLOR CODE IN WIRING DIAGRAM. FINAL ASSEMBLY WILL BE T568A.



WIRING DIAGRAM ⚠  
T568A

FEET, REF	DIM A	PART NO
100	1206	9-1859239-9
95	1146	9-1859239-5
90	1086	9-1859239-0
85	1026	8-1859239-5
80	966	8-1859239-0
75	906	7-1859239-5
70	846	7-1859239-0
65	786	6-1859239-5
60	726	6-1859239-0
55	666	5-1859239-5
50	606	5-1859239-0
45	546	4-1859239-5
40	486	4-1859239-0
35	426	3-1859239-5
30	366	3-1859239-0
25	304	2-1859239-5
20	244	2-1859239-0
16	196	1-1859239-6
15	184	1-1859239-5
14	172	1-1859239-4
12	148	1-1859239-2
10	124	1-1859239-0
9	110	1859239-9
8	98	1859239-8
7	86	1859239-7
6	74	1859239-6
5	62	1859239-5
4	50	1859239-4
3	38	1859239-3
2	26	1859239-2
1	14	1859239-1

THIS DRAWING IS A CONTROLLED DOCUMENT.		DWN JENNY GU 08MAY2009	Tyco Electronics Corporation Shanghai, China	
DIMENSIONS: INCHES	TOLERANCES UNLESS OTHERWISE SPECIFIED:	CHK RICKY CHEN 08MAY2009	NAME CABLE ASSY, CAT5E, MOD PLUG, 8 POSN, BLUE, TRANSPARENT SL BOOT	
		APVD RICKY CHEN 08MAY2009	PRODUCT SPEC	RESTRICTED TO
MATERIAL	FINISH	APPLICATION SPEC	SIZE A2	CAGE CODE 00779
		WEIGHT	DRAWING NO 1859239	SCALE -
CUSTOMER DRAWING		WEIGHT	SHEET 1 of 1	REV B