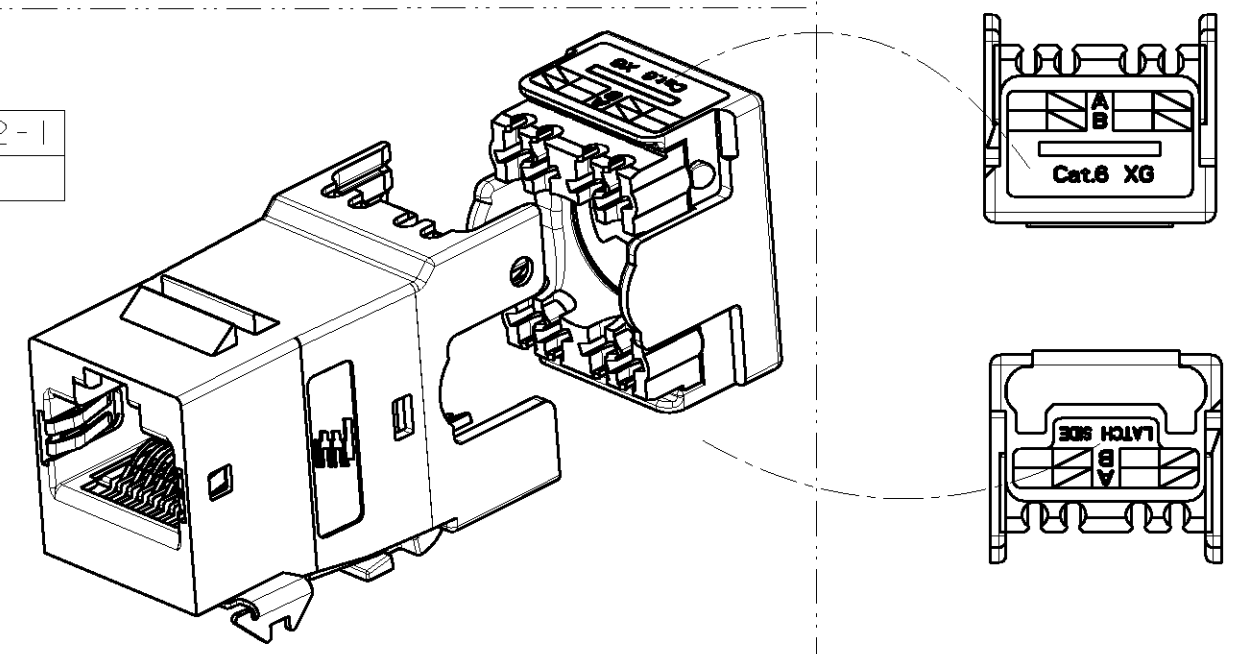


THIS DRAWING IS UNPUBLISHED. RELEASED FOR PUBLICATION 2008
 © COPYRIGHT - BY - ALL RIGHTS RESERVED.

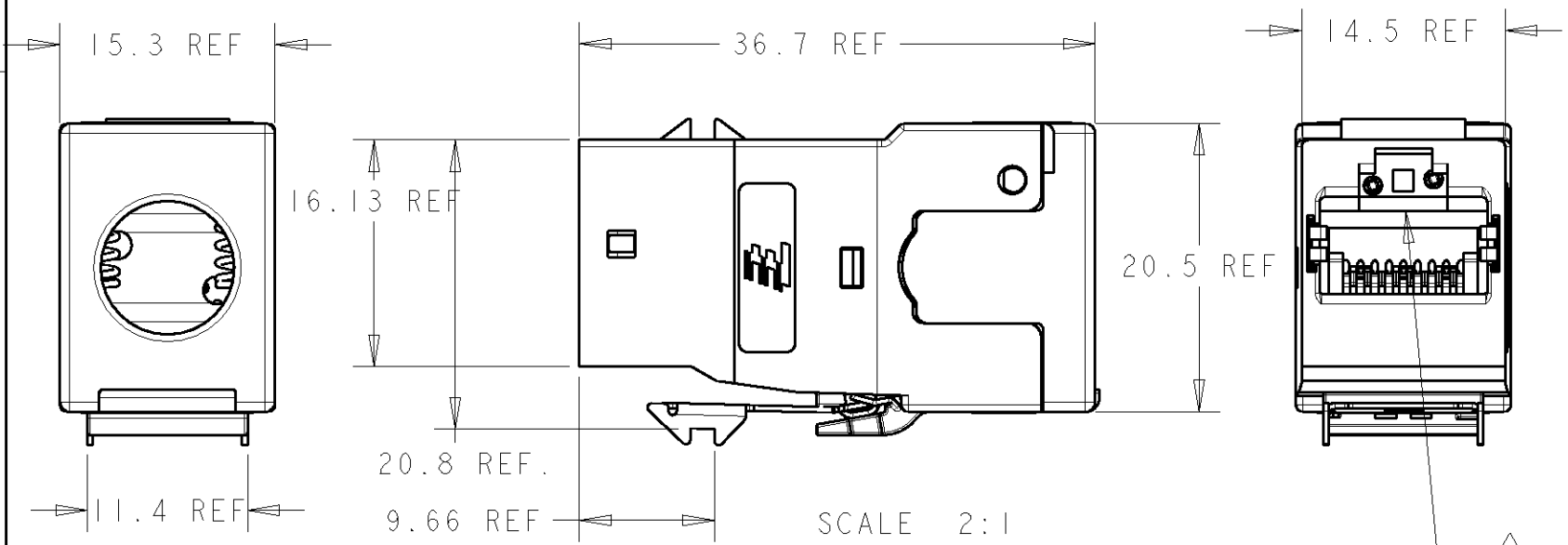
| | |
|--------------------------------------|-----------|
| OPTIMIZED FOR F/UTP CABLES | 1711342-2 |
| OPTIMIZED FOR S/FTP and F/FTP CABLES | 1711342-1 |
| NOTE | PN-DASH |

COLOUR CODING / LABELS

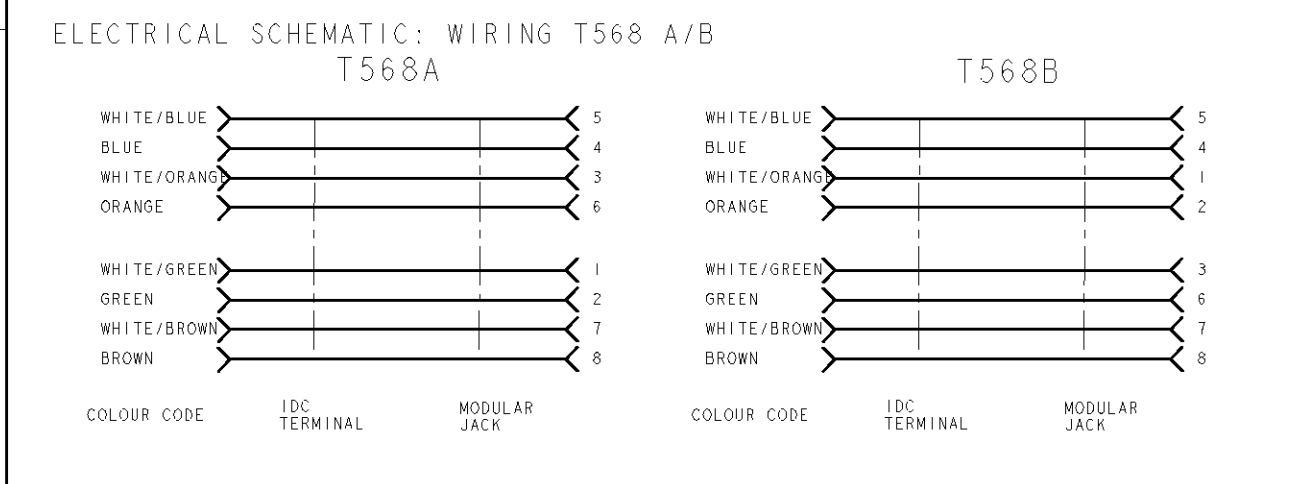
| | |
|----------|-----------|
| AS SHOWN | 1711342-1 |
| COMMENTS | PN |



SCALE 2:1

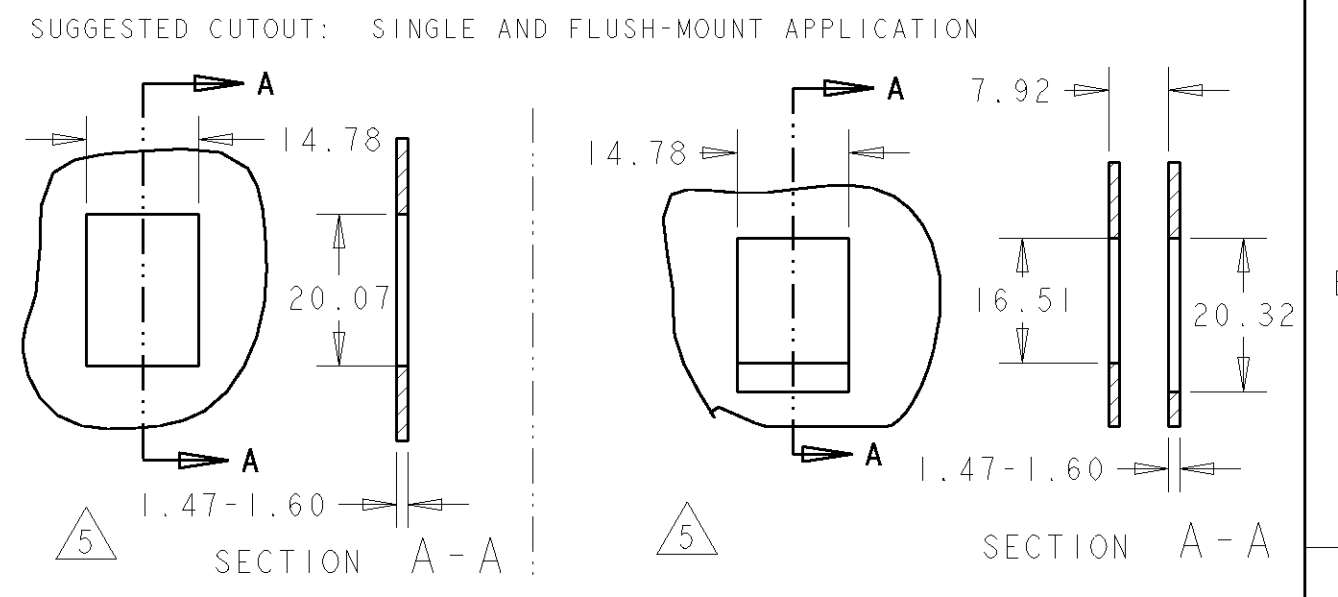


SCALE 2:1



| LOC | DIST | REVISIONS | | | | | |
|-----|------|-----------|-----|---------------------------|---------|-----|------|
| 1K | 2 | P | LTR | DESCRIPTION | DATE | DWN | APVD |
| | | | D2 | REVISED PER ECO-11-005150 | 03MAY11 | RK | HMR |

- 1 MATERIAL:
- FRONT AND REAR HOUSING, CABLE CLAMP: ZAMAK 5. (Z410).
 - IDC CONNECT BLOCK, DUST COVER AND LACING FIXTURE: POLYCARBONATE NATURAL.
 - CUTTING BLADE, SPRINGS, SHIELD CONTACT POINT AND LATCH: STAINLESS STEEL.
 - JACK CONTACTS: BERYLLIUM COPPER, PLATED WITH 1.27 μ m MINIMUM THICK GOLD IN LOCALIZED AREA AND 3.81 μ m MINIMUM THICK MATTE TIN IN SOLDER AREA OVER 1.27 μ m MINIMUM THICK NICKEL UNDERPLATE.
 - IDC TERMINALS: PHOSPHOROUS BRONZE, PLATED WITH 3.81 μ m MINIMUM THICK BRIGHT MATTE TIN OVER 1.27 MINIMUM THICK NICKEL UNDERPLATE.
2. AMP-TWIST-6S SL JACK WILL TERMINATE:
- SOLID CONDUCTORS: 22-24 AWG.
 - STRANDED CONDUCTORS: 24-26 AWG.
 - MAX. INSULATION DIAMETER: \varnothing 1.60 mm.
 - MAX. CABLE JACKET: \varnothing 9.00 mm.
- 3 CAVITY ACCORDING TO IEC 60603-7-5 Ed. 1.0
4. MOUNTING PANEL THICKNESS 1.47-1.60 mm. (SEE SUGGESTED CUTOUT).
- 5 THESE TWO SUGGESTED CUTOUT OPENINGS ARE USED INTANDEM WITH DUAL FRONT AND BACK CUTOUTS.
- 6 PACKAGING: ACCORDING TO SPEC. 107-93003.
7. REFER TO 411-93007 FOR TERMINATION INSTRUCTIONS USING SL SERIES TOOL TERMINATION: SL SERIES TOOL PN 1901551-1.
8. DIMENSIONS SHOWN ARE FOR REFERENCE ONLY.



| | | | | | | | |
|------------------|--|---|--|-------------------------------|--|---|--|
| DIMENSIONS: mm | | TOLERANCES UNLESS OTHERWISE SPECIFIED: | | DWN 25JUL2005 A.CARRERAS | | TE Connectivity | |
| | | 0 PLC \pm 1 PLC \pm 2 PLC \pm 3 PLC \pm 4 PLC \pm ANGLES \pm | | CHK 26JUL2005 L.de DIOS | | | |
| MATERIAL - | | FINISH - | | APVD 16JUN2006 J.SANABRA | | NAME AMP-TWIST-6S SL JACK REAR CABLE EXIT W/O DUST COVER | |
| CUSTOMER DRAWING | | SCALE | | PRODUCT SPEC 108-93003 | | SIZE A3 | |
| | | SHEET | | APPLICATION SPEC 411-93007 | | CAGE CODE 00779 | |
| | | OF | | WEIGHT - | | DRAWING NO C-1711342 | |
| | | REV | | RESTRICTED TO - | | REV D2 | |