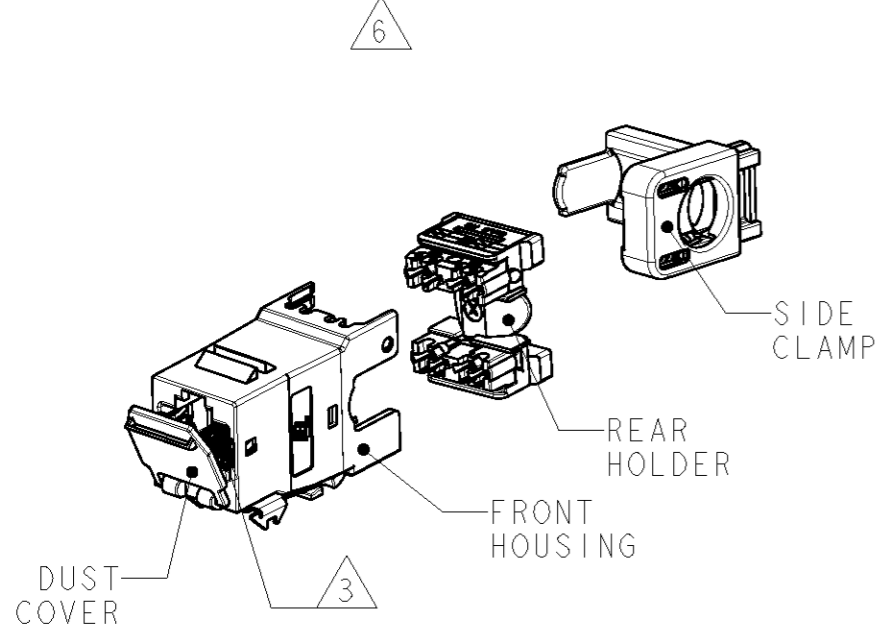


THIS DRAWING IS UNPUBLISHED. RELEASED FOR PUBLICATION 2010
 © COPYRIGHT 2008 BY TYCO ELECTRONICS CORPORATION. ALL RIGHTS RESERVED.

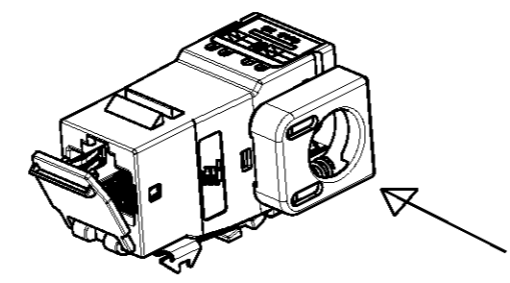
AS SHOWN	1711295-1
COMMENTS	PN

GENERAL VIEW: BEFORE TERMINATION

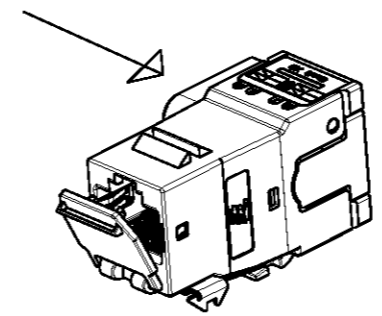


OPTIONS AFTER PRODUCT APPLICATION:

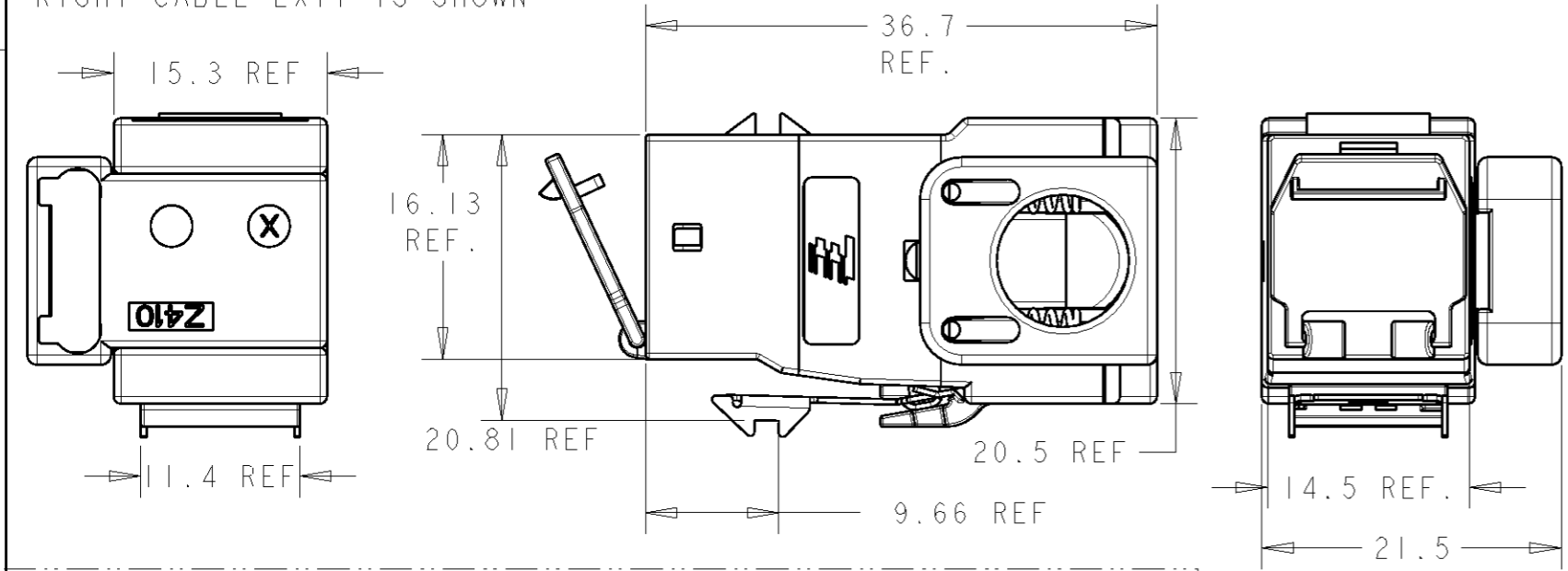
RIGHT CABLE APPLICATION



LEFT CABLE APPLICATION



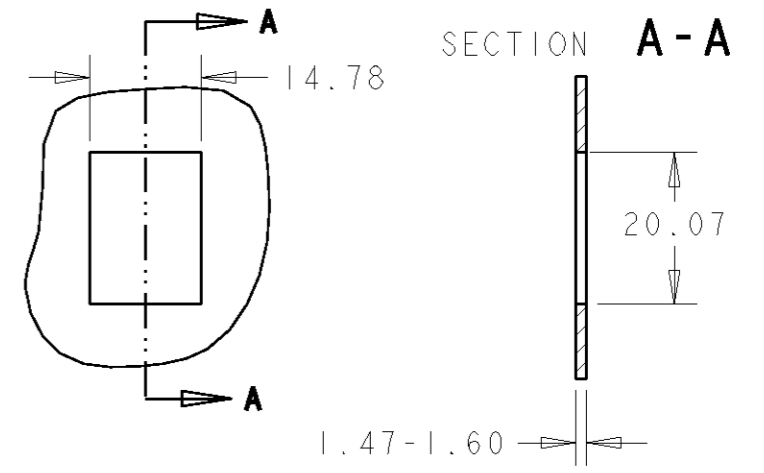
RIGHT CABLE EXIT IS SHOWN



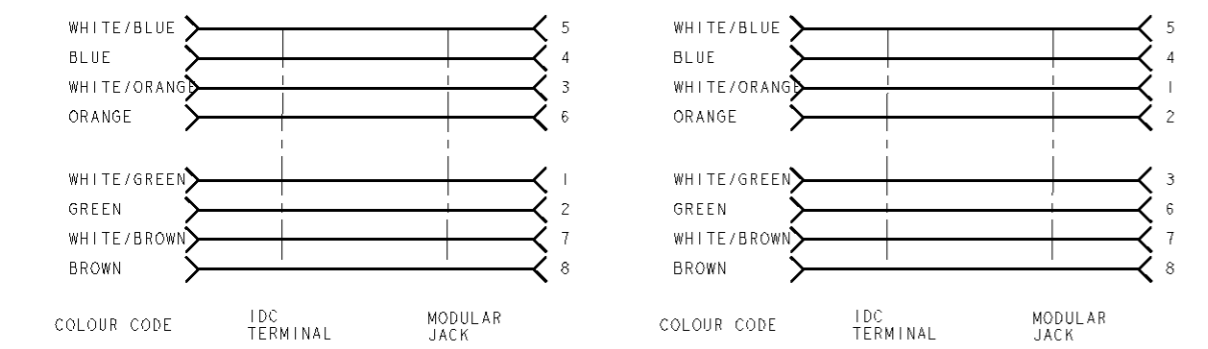
LOC	DIST	REVISIONS				
P	LTR	DESCRIPTION	DATE	DWN	APVD	
1K	2	A	FIRST ISSUE	08NOV2006	ACG	JS
		B	ECR-08-006695	13MAR2008	ACG	JS
		BI	ADDED DASH 2	14NOV2008	ACG	JS
		C	ECR-10-015378 (NEW HINGES AND COVER)	04AUG2010	ACG	AP

- 1 MATERIAL:
- FRONT AND REAR HOUSING, CABLE CLAMP: ZAMAK 5. (Z410).
 - IDC CONNECT BLOCK, DUST COVER AND LACING FIXTURE: POLYCARBONATE NATURAL.
 - CUTTING BLADE, SPRING, LATCH AND SHIELD CONTACT POINT: STAINLESS STEEL.
 - JACK CONTACTS: BERYLLIUM COPPER, PLATED WITH 1.27 μ m MINIMUM THICK GOLD IN LOCALIZED AREA AND 3.81 μ m MINIMUM THICK MATTE TIN IN SOLDER AREA OVER 1.27 μ m MINIMUM THICK NICKEL UNDERPLATE.
 - IDC TERMINALS: PHOSPHOROUS BRONZE, PLATED WITH 3.81 μ m MINIMUM THICK BRIGHT MATTE TIN OVER 1.27 MINIMUM THICK NICKEL UNDERPLATE.
2. AMP-TWIST-6S SL JACK WILL TERMINATE:
- SOLID CONDUCTORS: 22-24 AWG.
 - STRANDED CONDUCTORS: 24-26 AWG.
 - MAX. INSULATION DIAMETER: \varnothing 1.60 mm.
 - MAX. CABLE JACKET: \varnothing 9.00 mm.
- 3 CAVITY ACCORDING TO IEC 60603-7-5 Ed. 1.0
4. MOUNTING PANEL THICKNESS 1.47-1.60 mm. (SEE SUGGESTED CUTOUT).
- 5 SUGGESTED CUTOUT OPENING.
- 6 PACKAGING: ACCORDING TO TE PACKAGING SPEC.: 107-93003.
7. REFER TO 411-93014 FOR TERMINATION INSTRUCTIONS USING SL SERIES TOOL TERMINATION: SL SERIES TOOL PN 1725150-3.
8. DIMENSIONS SHOWN ARE FOR REFERENCE ONLY.

SUGGESTED CUTOUT: SINGLE APPLICATION



ELECTRICAL SCHEMATIC: WIRING T568 A/B



THIS DRAWING IS A CONTROLLED DOCUMENT FOR TYCO ELECTRONICS CORPORATION IT IS SUBJECT TO CHANGE AND THE CONTROLLING ENGINEERING ORGANIZATION SHOULD BE CONTACTED FOR THE LATEST REVISION.

DIMENSIONS:	TOLERANCES UNLESS OTHERWISE SPECIFIED:
mm	0 PLC \pm
	1 PLC \pm
	2 PLC \pm
	3 PLC \pm
	4 PLC \pm
	ANGLES \pm
MATERIAL	FINISH
-	-

DWN	08NOV2006
A. CARRERAS	
CHK	09NOV2006
J. SANABRA	
APVD	09NOV2006
J. SANABRA	
PRODUCT SPEC	108-93003
APPLICATION SPEC	411-93014
WEIGHT	-

		Tyco Electronics AMP España, S.A. Barcelona, Spain.	
NAME: AMP-TWIST-6S SL JACK SIDE EXIT WITH DUST COVER			
SIZE	CAGE CODE	DRAWING NO	RESTRICTED TO
A3	00779	©=1711295	-
CUSTOMER DRAWING		SCALE	SHEET OF REV C