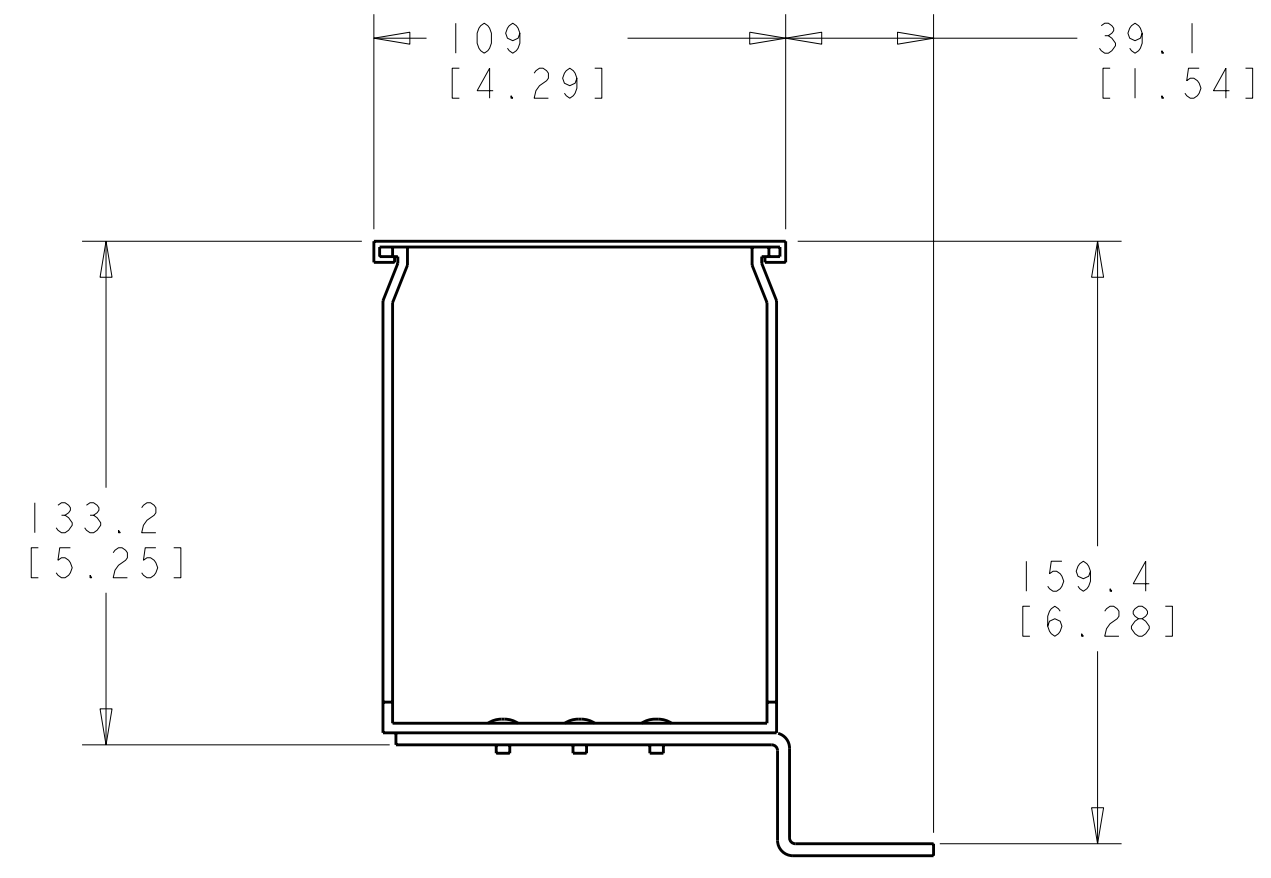
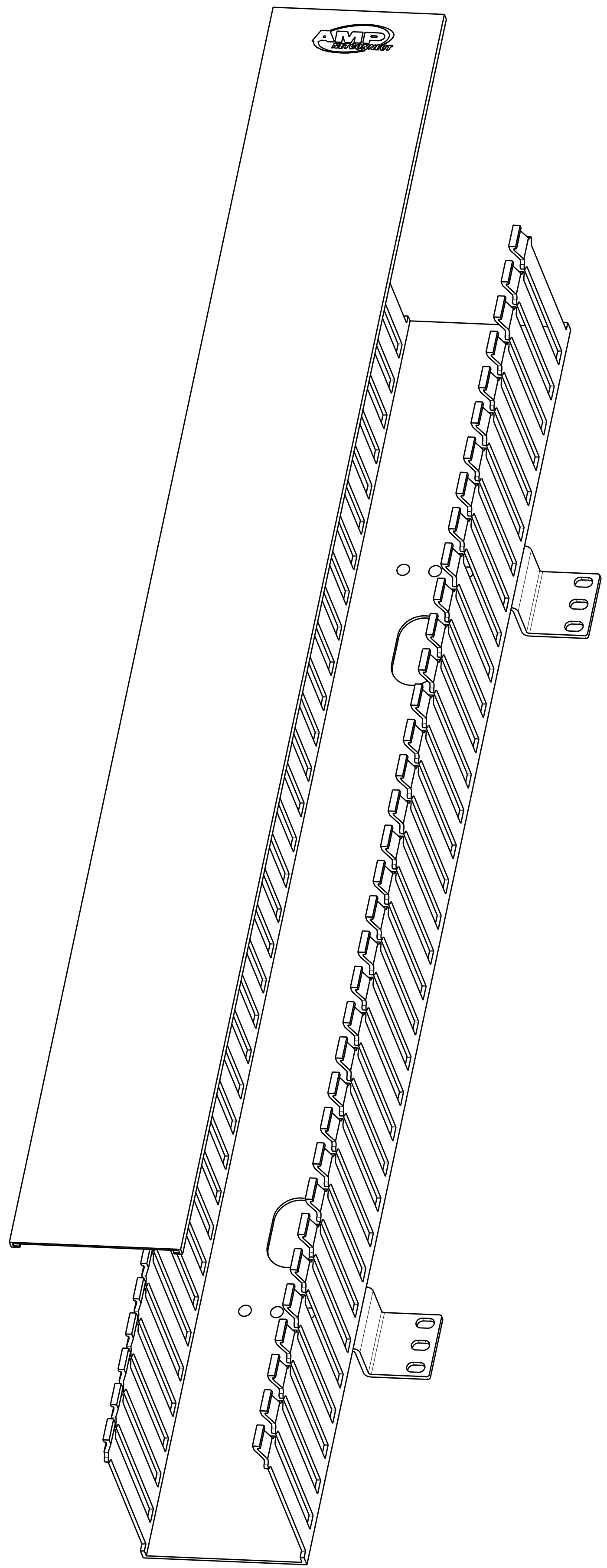
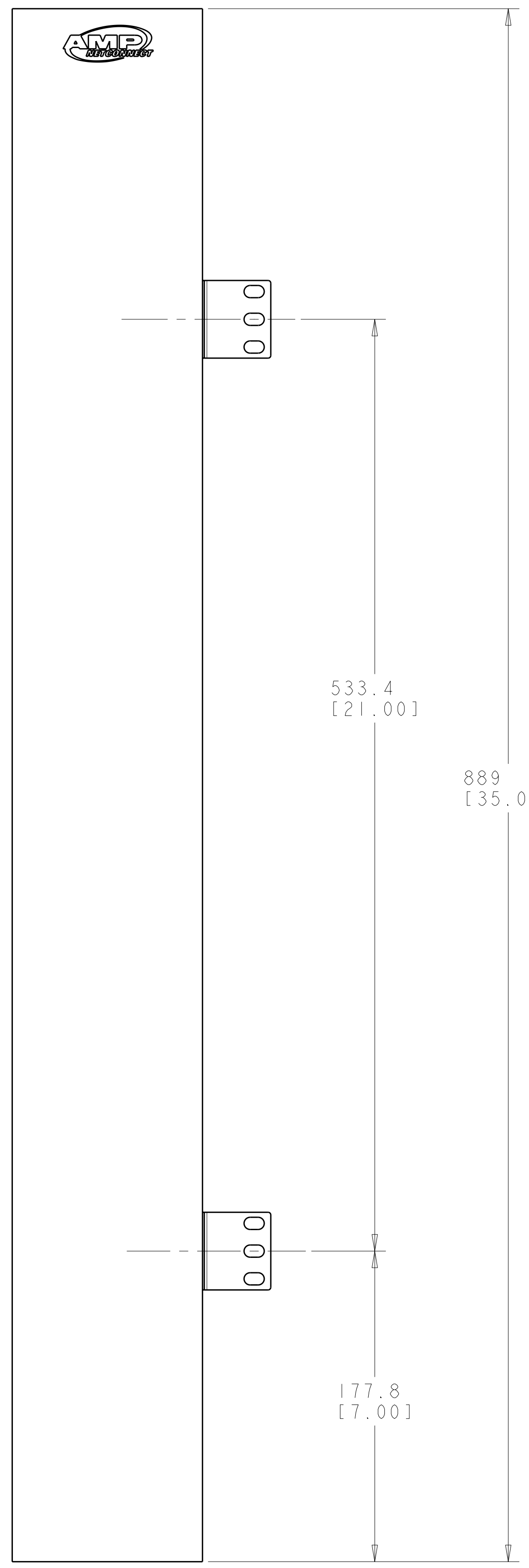


| LOC | DIST | REVISIONS |           |    |      |
|-----|------|-----------|-----------|----|------|
|     |      | REV       | DATE      | BY | APPD |
| HM  | 00   | O         | 11AUG2000 | LS | SH   |
|     |      | A         | 17NOV2000 | GG | SH   |
|     |      | B         | 16APR02   | GG | SH   |
|     |      | C         | 09FEB2010 | GG | SH   |



1. MATERIAL: ASSEMBLY - POWDER COATED ALUMINUM, AND PVC, BLACK, MATTE FINISH.
2. ALL DIMENSIONS ARE NOMINAL UNLESS OTHERWISE NOTED.

1375165-1  
PART NO.

|  |  |   |   |
|--|--|---|---|
| DIMENSIONS: MM [INCHES]<br>TOLERANCES UNLESS OTHERWISE SPECIFIED:<br>0 PLC ±<br>1 PLC ±<br>2 PLC ±<br>3 PLC ±<br>4 PLC ±<br>ANGLES ±<br>MATERIAL: -<br>FINISH: - |  | DWN: L. SMITH 17NOV2000<br>CHK: S. HERNDON 11AUG2000<br>APVD: B. DAVIS 11AUG2000<br>PRODUCT SPEC:<br>APPLICATION SPEC:<br>WEIGHT:<br>CUSTOMER DRAWING | Tyco Electronics<br>Harrisburg, PA 17105-3608<br>NAME: PANEL, VERT. CABLE MANAGEMENT, 35 INCH<br>SIZE: CAGE CODE DRAWING NO:<br>A1 00779 C=1375165<br>SCALE: 1:2 SHEET 1 OF 1 REV C |
|--|--|---|---|