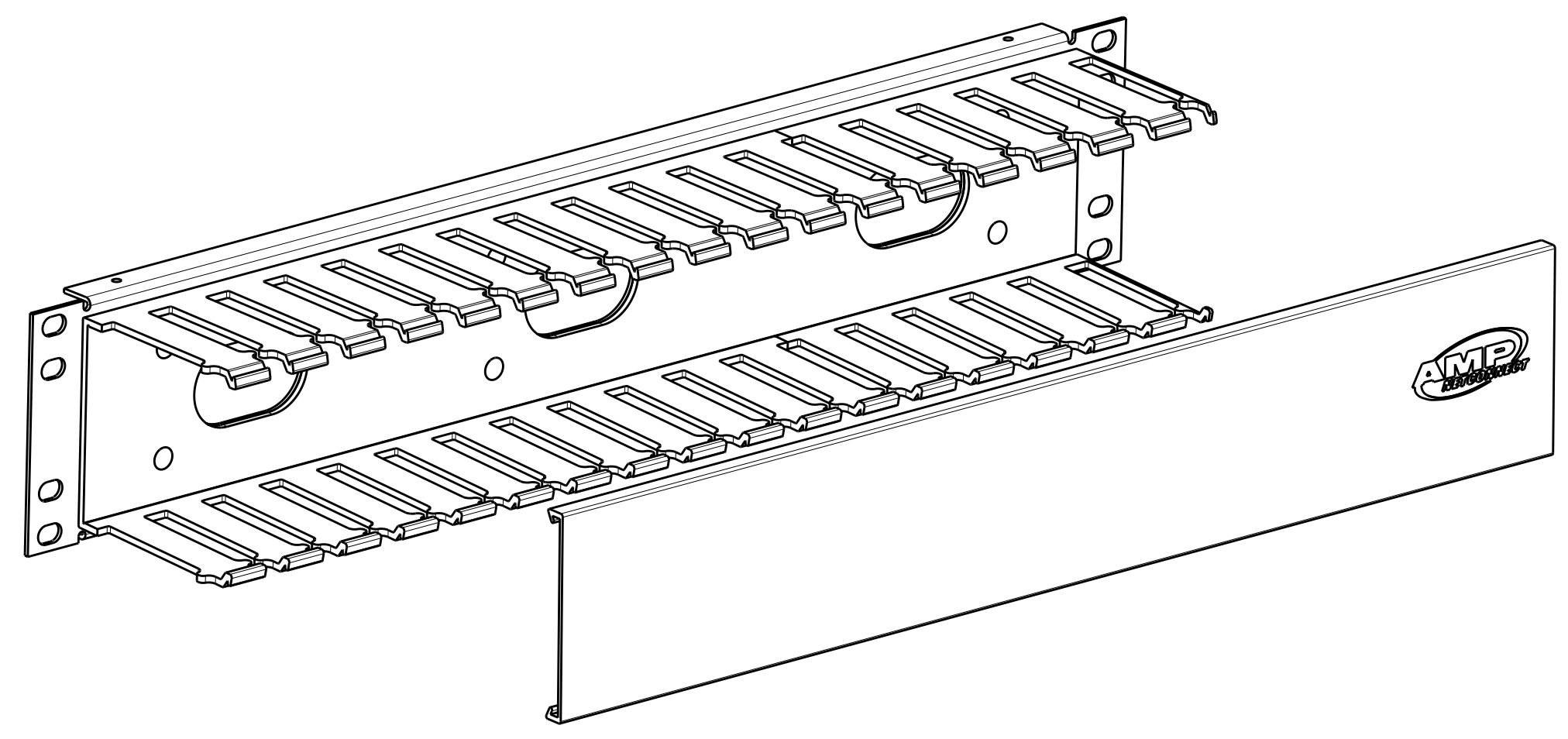
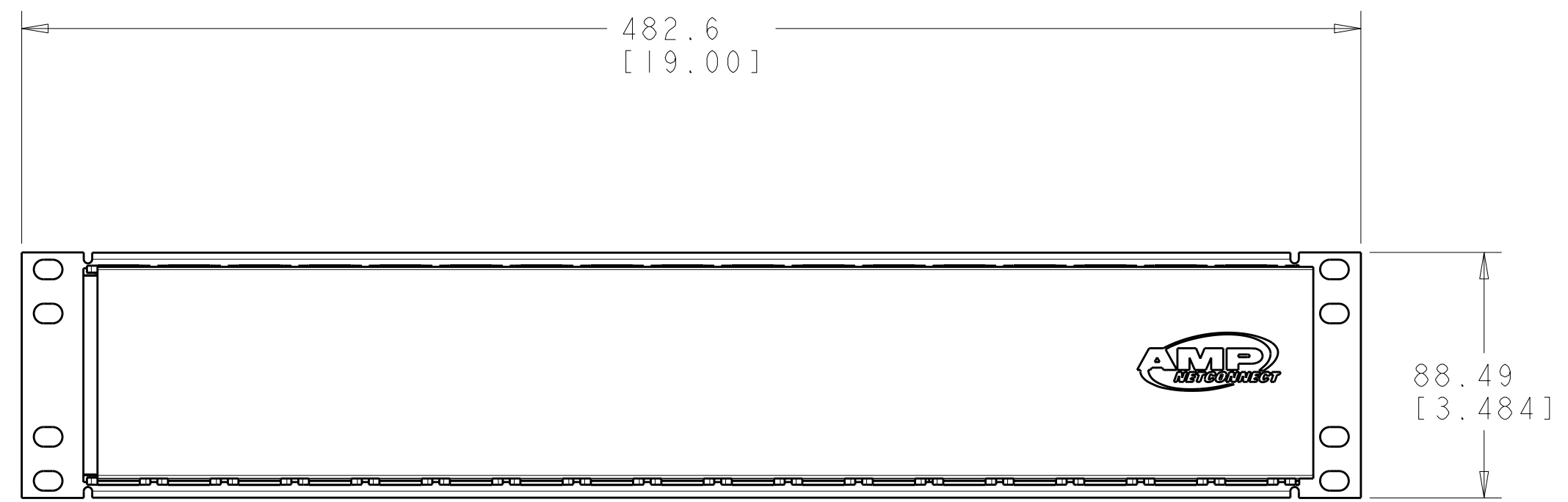
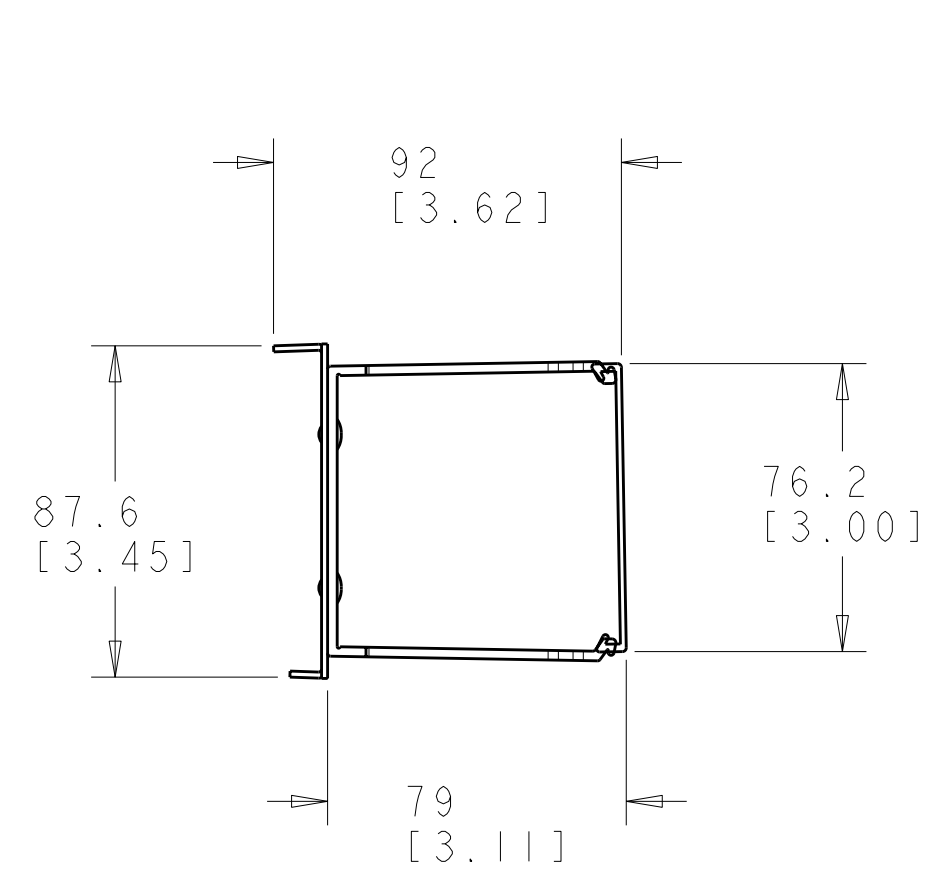


THIS DRAWING IS UNPUBLISHED. RELEASED FOR PUBLICATION 20  
 © COPYRIGHT 20 BY TYCO ELECTRONICS CORPORATION. ALL RIGHTS RESERVED.

LOC	DIST	REVISIONS					
HM	00	P	LTR	DESCRIPTION	DATE	DWN	APVD
		O		RLSD; NPR NSD00-047	17JUL2000	LS	SH
		A		REV; EC 0B40-0312-01	04DEC01	GG	SH
		B		REV; ECO-10-002359	04FEB2010	GG	SH
		C		REV; ECO-10-006676	29MAR2010	GG	SH



- 1. MATERIAL: MATERIAL: ASSEMBLY - BLACK POWDER COAT CARBON STEEL, AND PVC, BLACK, MATTE FINISH.
- 2. ALL DIMENSIONS ARE NOMINAL UNLESS OTHERWISE NOTED.



511.18 [20.125]	1375163-2
438.15 [17.25]	1375163-1
FRONT COVER LENGTH	PART NUMBER

THIS DRAWING IS A CONTROLLED DOCUMENT FOR TYCO ELECTRONICS CORPORATION. IT IS SUBJECT TO CHANGE AND THE CONTROLLING ENGINEERING ORGANIZATION SHOULD BE CONTACTED FOR THE LATEST REVISION.		DWN L. SMITH 04-Feb-10	Tyco Electronics Harrisburg, PA 17105-3608	
DIMENSIONS: INCHES		CHK S. HERNDON 19JUL2000	NAME PANEL, CABLE MANAGEMENT, 3.5 D	
TOLERANCES UNLESS OTHERWISE SPECIFIED: 0 PLC ± 1 PLC ± 2 PLC ± 3 PLC ± 4 PLC ± ANGLES ± FINISH -		APVD B. DAVIS 19JUL2000	RESTRICTED TO	
MATERIAL		PRODUCT SPEC	SIZE A2	CAGE CODE 00779
		APPLICATION SPEC	DRAWING NO 1375163	REV C
		WEIGHT	SCALE 1:2	SHEET 1 OF 1
		CUSTOMER DRAWING		