

SCO-5083R

1000TVL (1280H) Weatherproof IR Camera

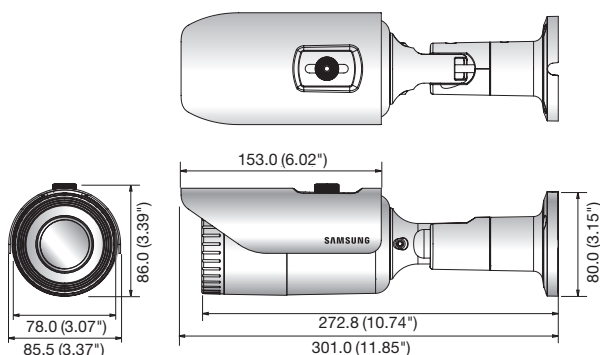


Key Features

- High resolution of 1000TV lines (Color), 1000TV lines (B/W)
- Min. Illumination 0Lux (IR LED on), IR distance 50m
- 3.3x varifocal lens (3 ~ 10mm)
- 120dB WDR, Day & Night (ICR)
- SSSDR, SSSNRIV, Defog, Intelligent video analytics
- IP66, IK10, Coax : Pelco-C (Coaxitron), RS-485, Dual power

Dimensions

Unit : mm (inch)



	SCO-5083RN	SCO-5083RP
VIDEO		
Imaging Device	1/3" 1.3M CMOS	
Total Pixels	1,312(H) x 1,069(V)	
Effective Pixels	1,305(H) x 1,049(V)	
Scanning System	Progressive scan	
Synchronization	Internal	
Frequency	H : 15.734KHz / V : 59.94Hz	H : 15.625KHz / V : 50Hz
Horizontal Resolution	Color : 1000TV lines, B/W : 1000TV lines	
Min. Illumination	Color : 0.05Lux (F1.4, 50IRE), 0.001Lux (1sec, F1.4, 50IRE), 0.02Lux (F1.4, 30IRE), 0.0006Lux (1sec, F1.4, 30IRE) B/W : 0Lux (IR LED on)	
S / N Ratio	52dB (AGC off, Weight on)	
Video Output	CVBS : 1.0 Vpp / 75Ω composite	
LENS		
Focal Length (Zoom Ratio)	3 ~ 10mm (3.3x) varifocal	
Max. Aperture Ratio	F1.4	
Angular Field of View	H : 82.0°(Wide) ~ 26.5°(Tele) / V : 59.7°(Wide) ~ 19.9°(Tele)	
Min. Object Distance	0.5m (1.64ft)	
Focus Control	Manual	
Lens Type	DC auto iris	
Mount Type	Board type	
OPERATIONAL		
On Screen Display	English, Chinese, Korean, Japanese, German, Italian, French, Spanish, Russian, Czech, Polish, Romanian, Serbian, Swedish, Danish, Turkish, Portuguese	
Camera Title	Off / On (Displayed 15 characters)	
Day & Night	Auto (ICR) / External / Color / B/W	
Anti IR Saturation	Top / Bottom / Left / Right	
Backlight Compensation	Off / User BLC / HLC / WDR	
Wide Dynamic Range	120dB	
Contrast Enhancement	SSDR (Off / On)	
Digital Noise Reduction	SSNR IV (Off / On)	
Defog	Off / Auto / Manual	
Purple Fringe Reduction	Off / Low / Middle / High	
Digital Image Stabilization	Off / On	
Tampering	Off / On	
Motion Detection	Off / On	
Intelligent Video Analytics	Fence, (Dis)Appear, Counting (Off / On)	
Privacy Masking	Off / On (24 programmable zones with 4 points polygonal masking)	
Gain Control	Off / Low / Middle / High	
White Balance	ATW / Outdoor / Indoor / Manual / AWC / Mercury (1,800K° ~ 10,500K°)	
Electronic Shutter Speed	1sec ~ 1/12,000sec	
Digital Zoom	Off / On (1x ~ 16x)	
Reverse	Off / H-Rev / V-Rev / HV-Rev	
Profile	Basic, Day & Night, Backlight, ITS, Indoor, User	
Alarm	1 Out	
Communication	Coaxial control (SPC-300 compatible) Coax : Pelco-C (Coaxitron)	
Protocol	RS-485 : Samsung-T/E, Pelco-D/P, Panasonic, Bosch, Honeywell, Vicon, AD, GE	
IR Distance	50m (164.04ft) (IR LED 36ea)	
ENVIRONMENTAL		
Operating Temperature / Humidity	-30°C ~ +55°C (-22°F ~ +131°F) / Less than 90% RH *Start up should be done at above -10°C (+14°F)	
Ingress Protection	IP66	
Vandal Resistance	IK10	
ELECTRICAL		
Input Voltage / Current	Dual (24V AC & 12V DC ±10%)	
Power Consumption	Max. 9.5W	
MECHANICAL		
Color / Material	Dark gray / ALDC	
Dimensions (WxH)	Ø78.0 x 272.8mm (3.07" x 10.74") (Without sun shield)	
Weight	1.5Kg (3.31 lb)	

* The latest product information / specification can be found at www.samsungsecurity.com