

## DH-IPC-HDBW1000E

---

1Megapixel HD Network Small IR Dome Camera



### Features

- 1/4" 1Megapixel progressive scan CMOS
- H.264&MJPEG dual-stream encoding
- 25/30fps@720P(1280×720)
- DWDR, Day/Night(ICR), 3DNR, AWB, AGC, BLC
- Multiple network monitoring: Web viewer, CMS(DSS/PSS) & DMSS
- 3.6mm fixed lens (2.8mm, 6mm optional)
- Max. IR LEDs Length 30m
- Smoke glass & transparent glass optional
- IP66, IK10, PoE

# DH-IPC-HDBW1000E

## Technical Specifications

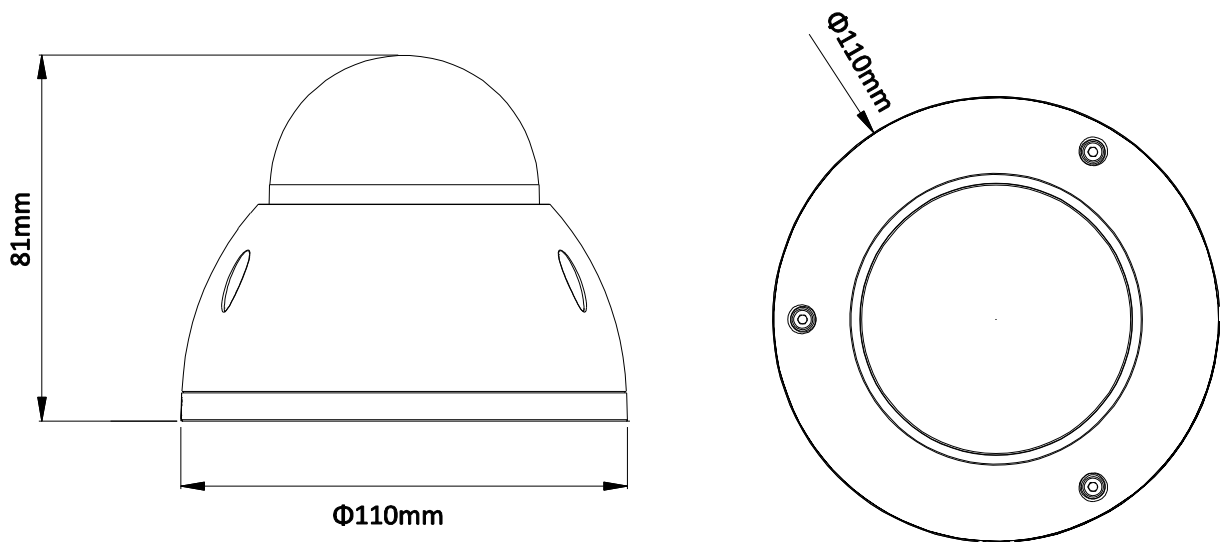
<b>Model</b>	<b>DH-IPC-HDBW1000E</b>	
<b>Camera</b>		
Image Sensor	1/4" 1Megapixel CMOS	
Effective Pixels	1280 (H) x 720(V)	
Scanning System	Progressive	
Electronic Shutter Speed	Auto/Manual, 1/3(4)~1/10000s	
Min. Illumination	0.01Lux/F1.8 (Color) ; 0Lux/F1.8 (IR on)	
S/N Ratio	More than 50dB	
Video Output	N/A	
<b>Camera Features</b>		
Max. IR LEDs Length	30m	
Day/Night	Auto(ICR)/Color/B/W	
Backlight Compensation	BLC / HLC / DWDR	
White Balance	Auto/Manual	
Gain Control	Auto/Manual	
Noise Reduction	3D	
Privacy Masking	Up to 4 areas	
<b>Lens</b>		
Focal Length	3.6mm (2.8mm, 6mm optional)	
Max Aperture	F1.8(F2.0,F1.8)	
Focus Control	Manual	
Angle of View	H:70°(89°/46.5°)	
Lens Type	Fixed lens	
Mount Type	Board-in Type	
<b>Video</b>		
Compression	H.264/ MJPEG	
Resolution	720P(1280×720) / D1(704×576/704×480) /CIF(352×288/352×240)	
Frame Rate	Main Stream	720P(1 ~ 25/30fps)
	Sub Stream	D1/CIF(1 ~ 25/30fps)
Bit Rate	H.264: 16K ~ 8192Kbps	
<b>Audio</b>		
Compression	N/A	
Interface	N/A	
<b>Network</b>		
Ethernet	RJ-45 (10/100Base-T)	
Wi-Fi	N/A	
Protocol	IPv4/IPv6, HTTP, HTTPS, SSL, TCP/IP, UDP, UPnP, ICMP, IGMP, SNMP, RTSP, RTP, SMTP, NTP, DHCP, DNS, PPPOE, DDNS, FTP, IP Filter, QoS, Bonjour	
Compatibility	ONVIF, PSIA, CGI	
Max. User Access	20 users	
Smart Phone	iPhone, iPad, Android, Windows Phone	

## DH-IPC-HDBW1000E



<b>Auxiliary Interface</b>	
Memory Slot	N/A
RS485	N/A
Alarm	N/A
PIR Sensor Range	N/A
<b>General</b>	
Power Supply	DC12V, PoE (802.3af)
Power Consumption	Max 3.5W
Working Environment	-30°C~+60°C, Less than 95% RH
Ingress Protection	IP66
Vandal Resistance	IK10
Dimensions	Φ110mm×81mm
Weight	0.39kg

# DH-IPC-HDBW1000E

## Dimensions (mm)



## Accessory (optional)

		
PFB200W	PFA131	PFA123

### Dahua Technology Co., Ltd.

1199 BinAn Road, Binjiang District, Hangzhou, China

Tel: +86-571-87688883

Fax: +86-571-87688815

Email:overseas@dahuatech.com

www.dahuatech.com

\*Design and specifications are subject to change without notice.

© 2014 Dahua Technology Co., Ltd.